

TECHNICAL MANUAL

76mm COMMERCIAL FRAME CENTRE GLAZED - SINGLE GLAZED

76mm COMMERCIAL FRAME CENTRE GLAZED - SINGLE GLAZED



COPYRIGHT

This Technical manual remains the property of Rapid Aluminium and contains privileged information which is the subject of copyright and the manual or any part thereof may not be reproduced, copied or loaned in any form without the written permission of Rapid Aluminium Trading P/L. This manual is to be returned to Rapid Aluminium when requested.

DISCLAIMER

Whilst every effort and utmost care has been made to ensure the technical details contained within this manual are accurate, Rapid Aluminium can take no responsibility for any loss or damage whatsoever arising as a result of any errors contained in this manual. This is merely a guideline for fabrication and assembly purposes. Also, interpretation of standards or codes within this manual is Rapid Aluminium's interpretation for such codes. Responsibility for code compliance remains with the user of this manual. In some cases product dimensions may vary or be changed without notice. The user of this manual should not act or rely upon on any information contained in this manual without first obtaining appropriate professional advice relating to their particular circumstances. Rapid Aluminium Trading P/L disclaims all liability for loss or damage suffered by any party who acts or fails to act in reliance of this manual.

RAPID ALUMINIUM GENERAL WARRANTY

No warranty, condition or term applies to the supply by Rapid Aluminium of products and their components manufactured by it unless it is set out in this Condition or is implied by law and cannot be excluded. If any term is implied into this Condition by law, and it would be illegal for Rapid Aluminium to exclude it, then so far as the law allows, the liability of Rapid Aluminium for breach of that term is limited to the cost of repair or replacement (at Rapid's option) of any product or component manufactured by it that Rapid Aluminium determines is defective in materials under normal use and service. Rapid Aluminium is not liable for any other direct or indirect cost, loss or damage to person or property, or for any consequential losses, including cartage and installation. While any product or component is in the custody of Rapid Aluminium for investigation or repair it will be at the risk of the purchaser and Rapid Aluminium or its employees or agents will not be liable for any damage to it. Rapid Aluminium is not liable to the purchaser unless the purchaser notifies Rapid Aluminium in writing immediately on it becoming aware of the alleged defect, and in any event no later than 30 days after the date of delivery. Rapid Aluminium is not liable for any product or component that is not manufactured by it, but Rapid will use its reasonable endeavors to obtain for the purchaser the benefit of any applicable manufacturer's warranty.

76mm COMMERCIAL FRAME CENTRE GLAZED - SINGLE GLAZED

CONTENTS

1 SPECIFICATION

1.1 Performance and features

2 LOAD CHARTS

2.1-2.2 Wind Pressure Tables

3 EXTRUSIONS

3.1 - 3.2 Extrusion profiles

4 COMPONENTS

4.1-4.2 Accessories

5 GENERAL ARRANGEMENTS

5.1 - 5.5 Elevations and plan views

6 MACHINING DETAILS

6.1 Elevations and plan views

7 GLAZING DETAILS

7.1 Single glazed table

8 GLAZING DETAILS

8.1 Sub sill sealing details

76mm COMMERCIAL FRAME CENTRE GLAZED - SINGLE GLAZED

SPECIFICATION

FRAME DIMENSIONS

- 76mm x 35mm

MAXIMUM SIZES

- Max mullion height: 2400
- Max mullion centres: 900

Refer wind load charts for sizing and pressures.

GLAZING

- Single Glazed: 4mm - 10mm

76mm COMMERCIAL FRAME CENTRE GLAZED - SINGLE GLAZED

LOAD TABLE - CF301 / CF304 MULLION

SECTION PROPERTIES

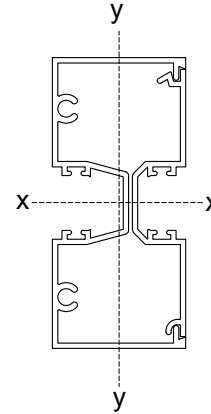
$I_{xx}: 295 \times 10^3 \text{ mm}^4$

Alloy: 6060 T5

Max Stress 110 Mpa

S = Serviceability limit state I/250

U = Ultimate limit state



Mullion Height	Maximum Design Pressure (Pa)							
2700	S	540						
	U	1570						
2600	S	610						
	U	1700						
2500	S	680	520					
	U	1840	1400					
2400	S	770	590	480				
	U	2000	1530	1250				
2300	S	880	670	550	480			
	U	2190	1670	1370	1170			
2200	S	1010	780	640	550	500	460	
	U	2390	1830	1500	1290	1150	1060	
2100	S	1170	900	740	640	580	540	510
	U	2640	2020	1660	1440	1290	1190	1130
2000	S	1360	1050	870	760	690	640	620
	U	2910	2240	1850	1600	1450	1340	1290
1900	S	1590	1230	1020	900	820	770	750
	U	3000	2500	2070	1800	1640	1540	1490
1800	S	1880	1460	1220	1080	990	950	930
	U	3000	2800	2330	2050	1870	1770	1740
Mullion Ctrs		600	800	1000	1200	1400	1600	1800

This table is based on theoretical section properties

76mm COMMERCIAL FRAME CENTRE GLAZED - SINGLE GLAZED

LOAD TABLE - CF302 / CF304 TRANSOM

SECTION PROPERTIES

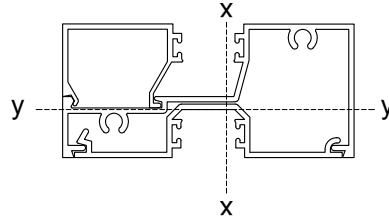
$I_{xx}: 259 \times 10^3 \text{ mm}^4$

Alloy: 6060 T5

Max Stress 110 Mpa

S = Serviceability limit state /250

U = Ultimate limit state

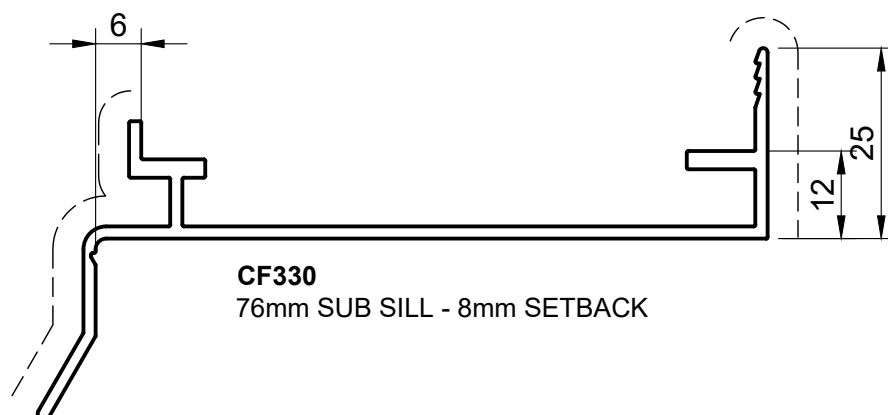
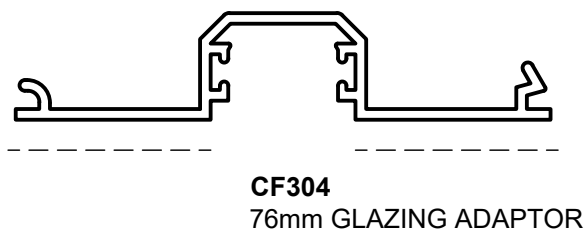
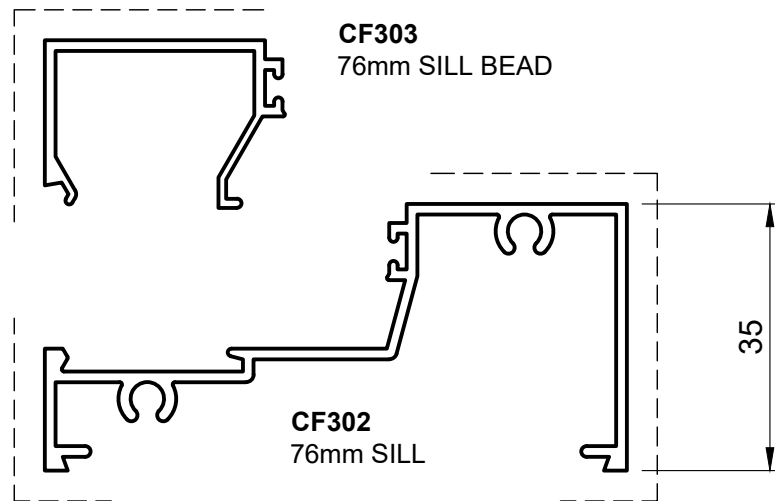
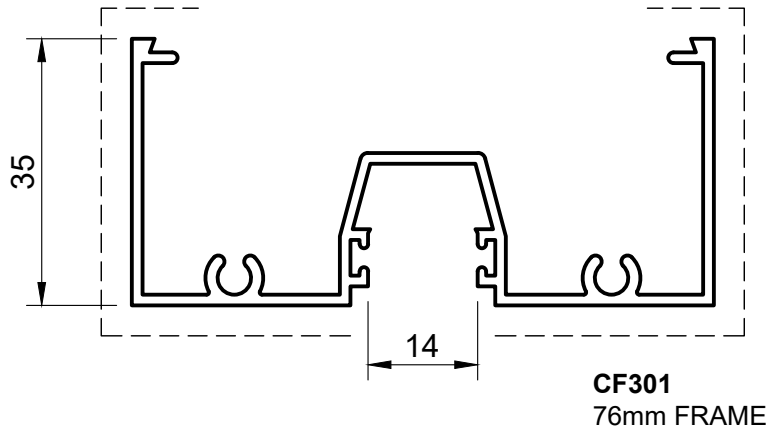


Transom Ctrs	Maximum Design Pressure (Pa)							
1500	S	2000	2000					
	U	3000	3000					
1400	S	2000	2000	2000				
	U	3000	3000	2950				
1300	S	2000	2000	2000				
	U	3000	3000	2980				
1200	S	2000	2000	2000				
	U	3000	3000	3000				
1100	S	2000	2000	2000	1870			
	U	3000	3000	3000	2660			
1000	S	2000	2000	2000	1970			
	U	3000	3000	3000	2820			
900	S	2000	2000	2000	2000	1700		
	U	3000	3000	3000	3000	2620		
800	S	2000	2000	2000	2000	1860		
	U	3000	3000	3000	3000	2880		
700	S	2000	2000	2000	2000	2000		
	U	3000	3000	3000	3000	3000		
600	S	2000	2000	2000	2000	2000	1970	
	U	3000	3000	3000	3000	3000	3000	
Max Weight		69	54	43	35	29	24	20
Transom length		1200	1300	1400	1500	1600	1700	1800

This table is based on theoretical section properties

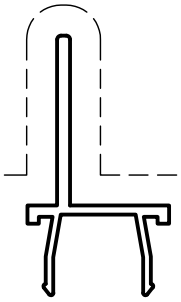
76mm COMMERCIAL FRAME CENTRE GLAZED - SINGLE GLAZED

EXTRUSION PROFILES

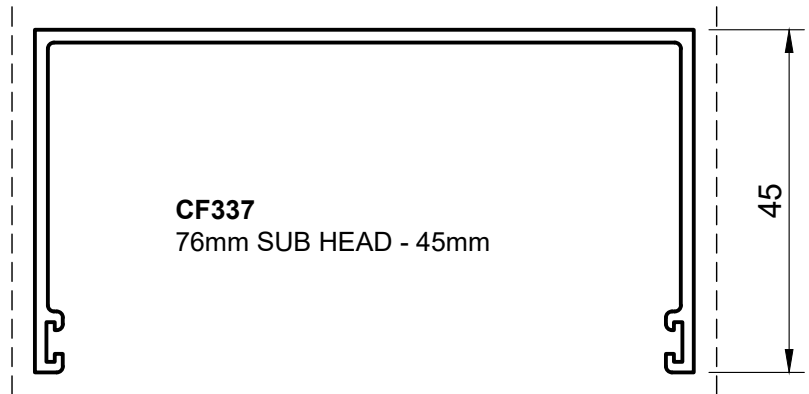


76mm COMMERCIAL FRAME CENTRE GLAZED - SINGLE GLAZED

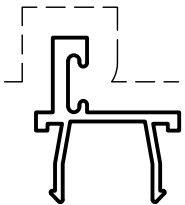
EXTRUSION PROFILES



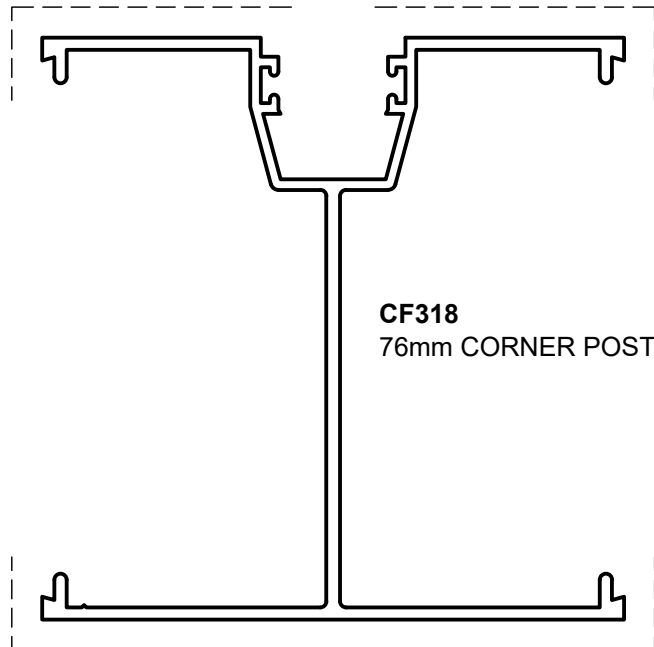
CF316
35mm AWNING STOP - 76mm FRAME



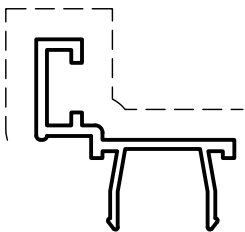
CF337
76mm SUB HEAD - 45mm



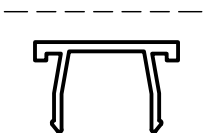
CF332
35mm DOOR STOP - 76mm FRAME



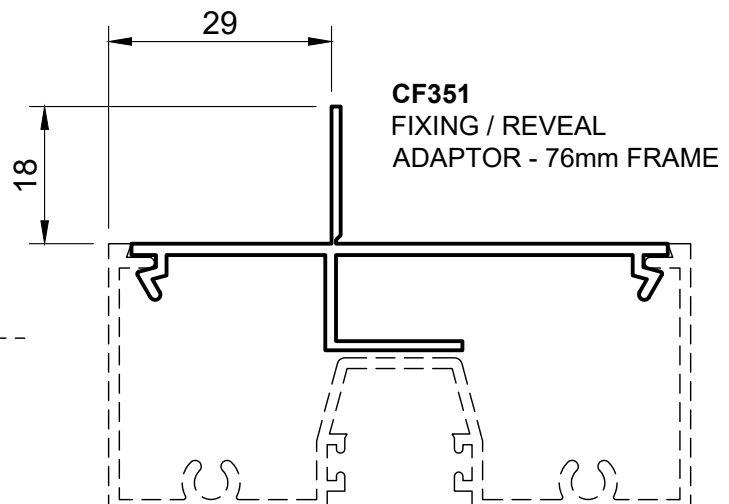
CF318
76mm CORNER POST



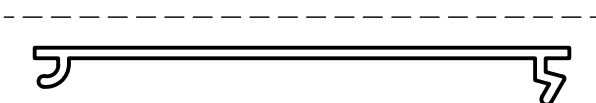
CF307
45mm DOOR STOP - 76mm FRAME



CF306
POCKET FILLER - 76mm FRAME



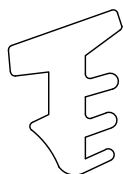
CF351
FIXING / REVEAL
ADAPTOR - 76mm FRAME



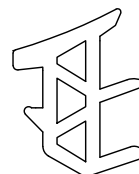
CF305
FLAT FILLER - 76mm FRAME

76mm COMMERCIAL FRAME CENTRE GLAZED - SINGLE GLAZED

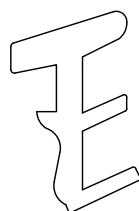
ACCESSORIES



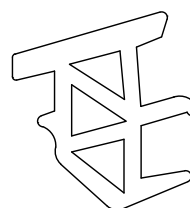
CFH006
GLAZING WEDGE (4mm GAP)
200m ROLL



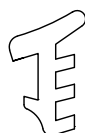
CFH007
GLAZING WEDGE (5mm GAP)
200m ROLL



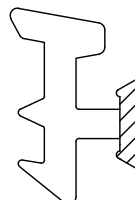
CFH008
GLAZING WEDGE (3mm GAP)
250m ROLL



CFH009
GLAZING WEDGE (6mm GAP)
100m ROLL



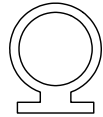
CFH010
GLAZING WEDGE (2mm GAP)
500m ROLL



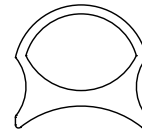
CFH012
CAPTIVE WEDGE (4mm GAP)
500m ROLL

76mm COMMERCIAL FRAME CENTRE GLAZED - SINGLE GLAZED

ACCESSORIES

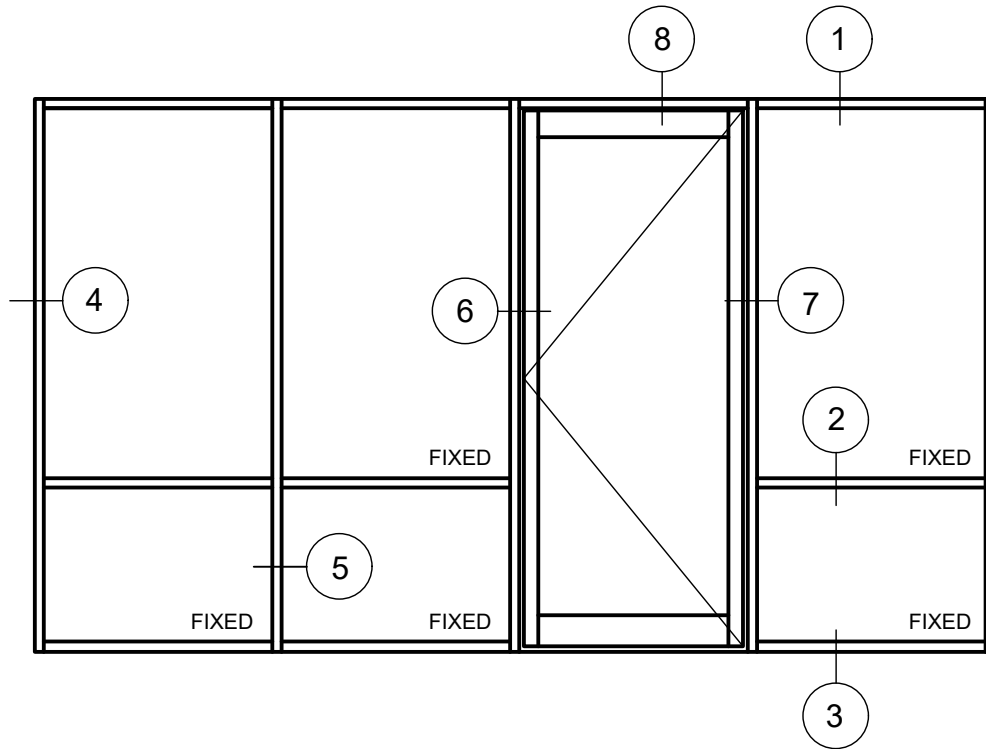


CFH13
SASH SEAL
200m ROLL

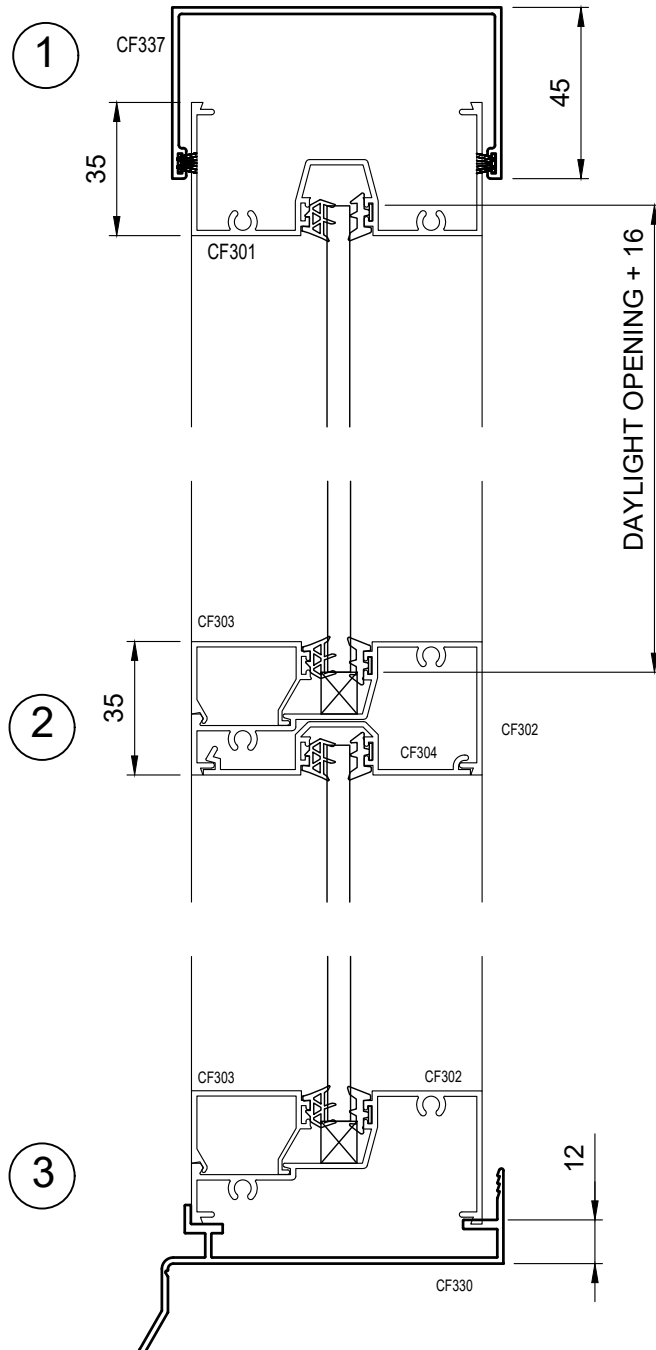


CFH4
DOOR BUFFER
200m ROLL

76mm COMMERCIAL FRAME CENTRE GLAZED - SINGLE GLAZED CONFIGURATIONS



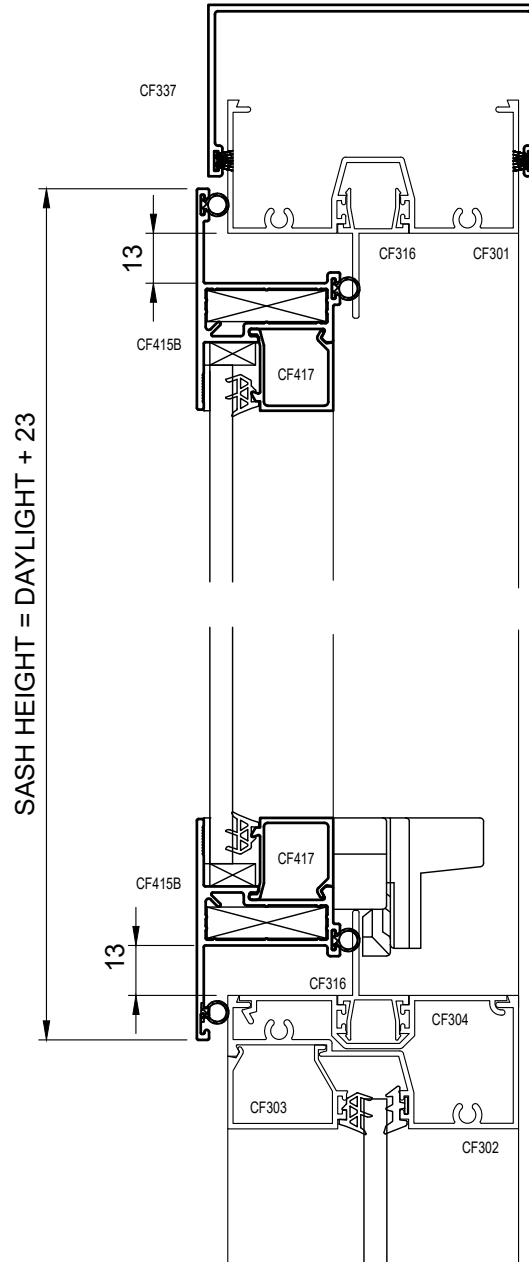
76mm COMMERCIAL FRAME CENTRE GLAZED - SINGLE GLAZED VERTICAL DETAIL - FIXED LITE



NOTE:

- ALL JOINTS TO BE SEALED USING A SUITABLE SMALL JOINT SEALANT OR CLOSED CELL FRAME GASKET

76mm COMMERCIAL FRAME CENTRE GLAZED - SINGLE GLAZED VERTICAL DETAIL - 35mm AWNING

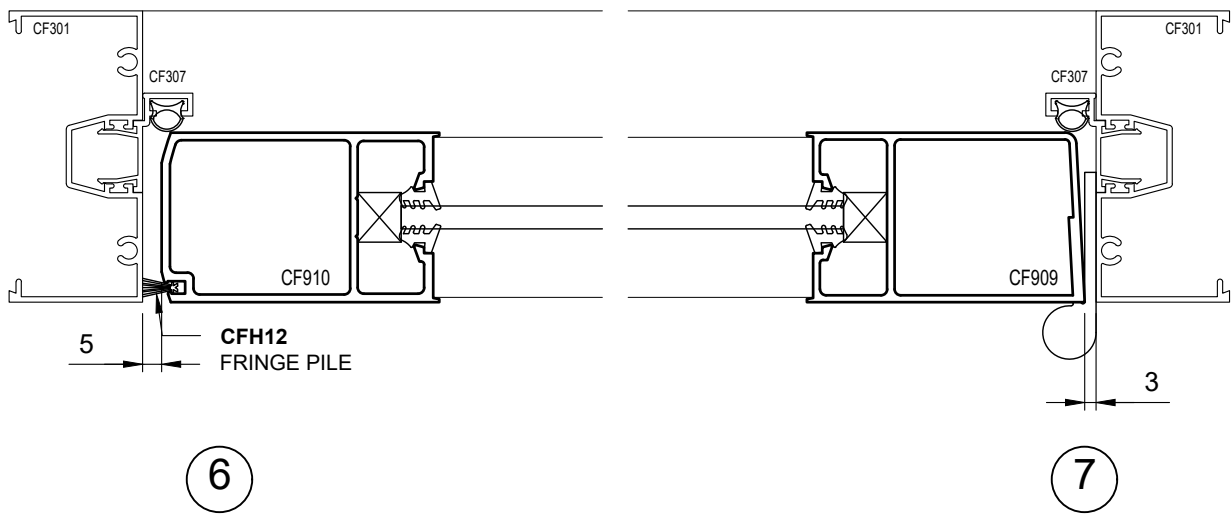
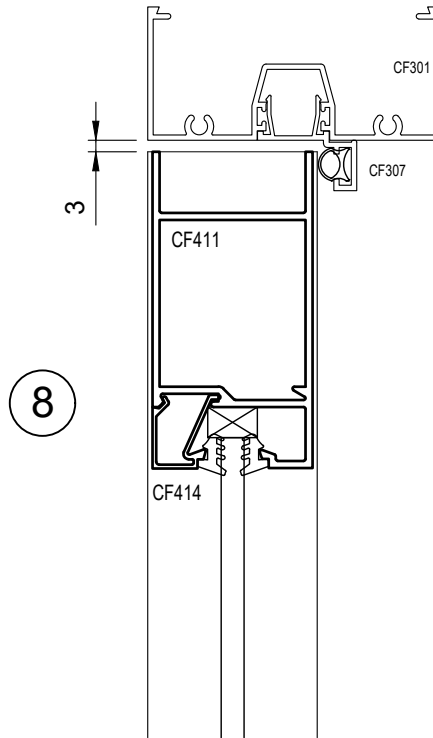


NOTE:

- ALL JOINTS TO BE SEALED USING A SUITABLE SMALL JOINT SEALANT OR CLOSED CELL FRAME GASKET

76mm COMMERCIAL FRAME CENTRE GLAZED - SINGLE GLAZED

VERTICAL DETAIL - 45mm HINGED DOOR DETAILS

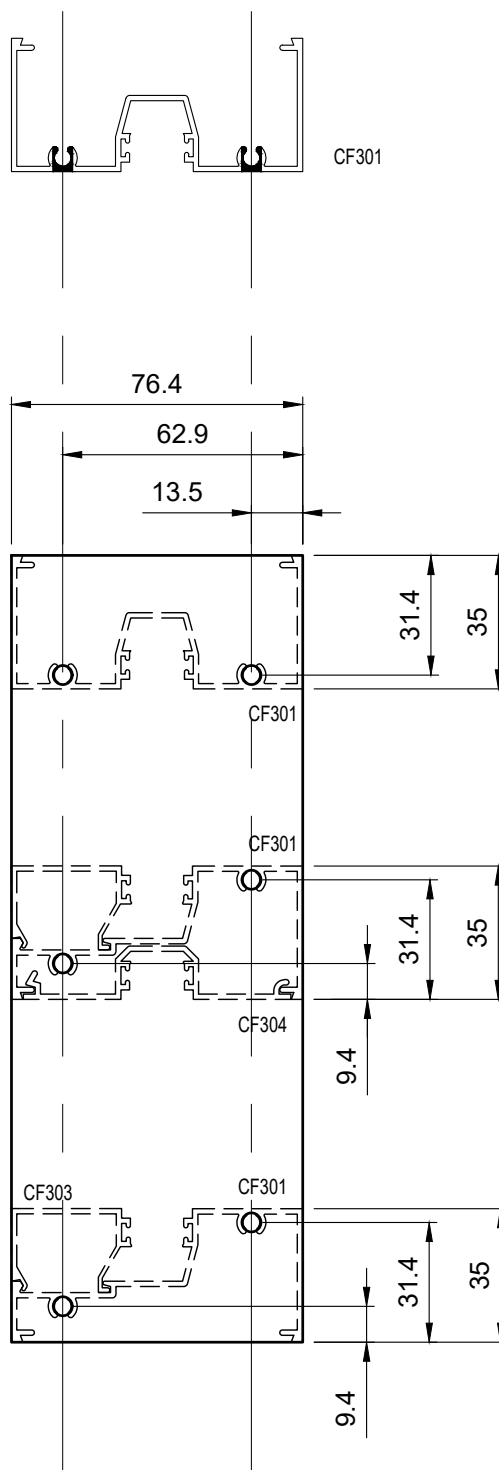


NOTE:

- ALL JOINTS TO BE SEALED USING A SUITABLE SMALL JOINT SEALANT OR CLOSED CELL FRAME GASKET

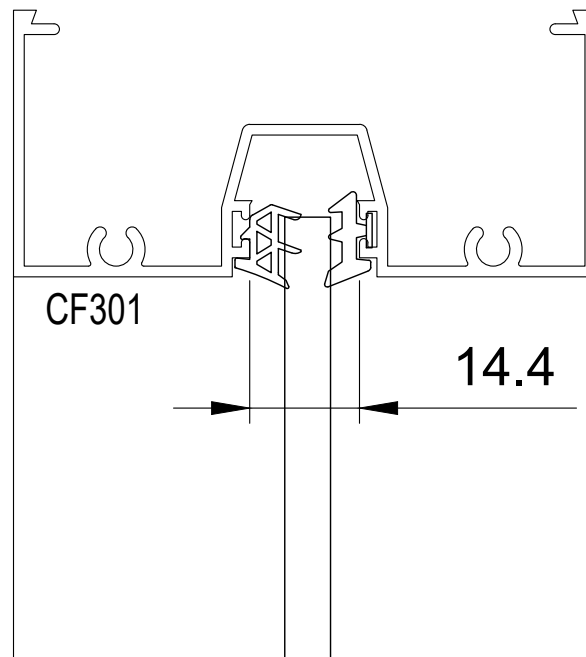
76mm COMMERCIAL FRAME CENTRE GLAZED - SINGLE GLAZED

MACHINING - JAMB AND MULLIONS - ASSEMBLY HOLES



76mm COMMERCIAL FRAME CENTRE GLAZED - SINGLE GLAZED

GLAZING DETAILS - CAPTIVE

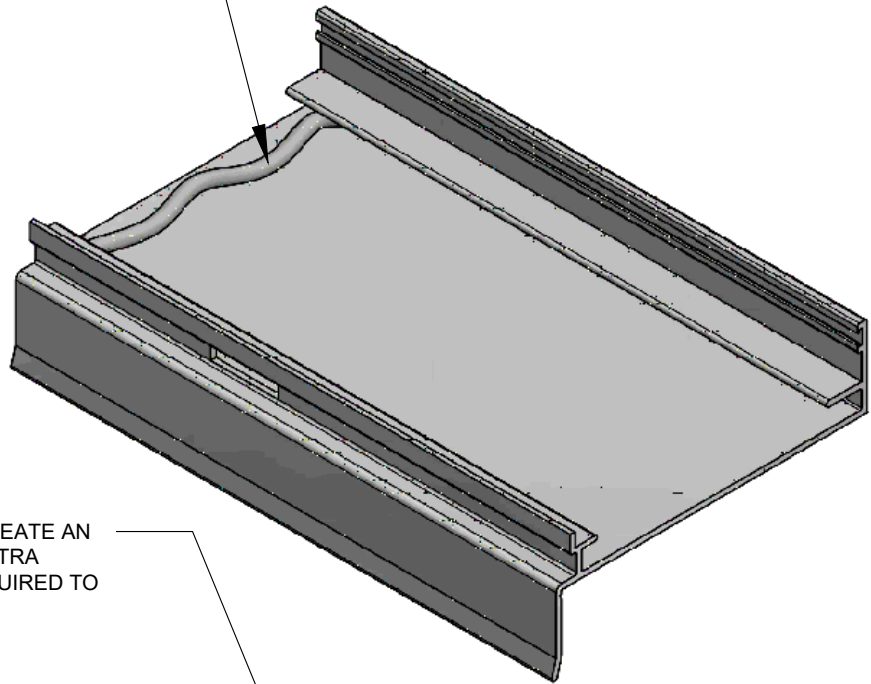


SINGLE GLAZE - CAPTIVE		
GLASS THICKNESS	WEDGE	CAPTIVE
5mm	CFH009 - 6mm	CFH014 - 3mm
6mm	CFH007 - 5mm	CFH014 - 3mm
8mm	CFH008 - 3mm	CFH014 - 3mm
10mm	SILICONE	SILICONE

76mm COMMERCIAL FRAME CENTRE GLAZED - SINGLE GLAZED

SUB SILL END DAM SEALING

LAY A BED OF SILICONE ACROSS THE BASE OF THE SUB SILLS, CAREFULLY SEALING INTO THE CORNERS AND UP THE VERTICAL SUB SILL LEGS



INSTALL A 25 x 25mm ANGLE TO CREATE AN END DAM IN THE SUB SILL. ADD EXTRA SILICONE IN THE CORNERS IF REQUIRED TO ENSURE WATER TIGHTNESS

RIVET ANGLE TO SUB SILL TO ENSURE THE SILICONE SEAL IS NOT DISTURBED OR BROKEN

