

# **TECHNICAL MANUAL**

## **103mm COMMERCIAL FRAME FRONT CAP GLAZED - SINGLE GLAZED**

# 103mm COMMERCIAL FRAME FRONT CAP GLAZED - SINGLE GLAZED

---



## **COPYRIGHT**

This Technical manual remains the property of Rapid Aluminium and contains privileged information which is the subject of copyright and the manual or any part thereof may not be reproduced, copied or loaned in any form without the written permission of Rapid Aluminium Trading P/L. This manual is to be returned to Rapid Aluminium when requested.

## **DISCLAIMER**

Whilst every effort and utmost care has been made to ensure the technical details contained within this manual are accurate, Rapid Aluminium can take no responsibility for any loss or damage whatsoever arising as a result of any errors contained in this manual. This is merely a guideline for fabrication and assembly purposes. Also, interpretation of standards or codes within this manual is Rapid Aluminium's interpretation for such codes. Responsibility for code compliance remains with the user of this manual. In some cases product dimensions may vary or be changed without notice. The user of this manual should not act or rely upon on any information contained in this manual without first obtaining appropriate professional advice relating to their particular circumstances. Rapid Aluminium Trading P/L disclaims all liability for loss or damage suffered by any party who acts or fails to act in reliance of this manual.

## **RAPID ALUMINIUM GENERAL WARRANTY**

No warranty, condition or term applies to the supply by Rapid Aluminium of products and their components manufactured by it unless it is set out in this Condition or is implied by law and cannot be excluded. If any term is implied into this Condition by law, and it would be illegal for Rapid Aluminium to exclude it, then so far as the law allows, the liability of Rapid Aluminium for breach of that term is limited to the cost of repair or replacement (at Rapid's option) of any product or component manufactured by it that Rapid Aluminium determines is defective in materials under normal use and service. Rapid Aluminium is not liable for any other direct or indirect cost, loss or damage to person or property, or for any consequential losses, including cartage and installation. While any product or component is in the custody of Rapid Aluminium for investigation or repair it will be at the risk of the purchaser and Rapid Aluminium or its employees or agents will not be liable for any damage to it. Rapid Aluminium is not liable to the purchaser unless the purchaser notifies Rapid Aluminium in writing immediately on it becoming aware of the alleged defect, and in any event no later than 30 days after the date of delivery. Rapid Aluminium is not liable for any product or component that is not manufactured by it, but Rapid will use its reasonable endeavors to obtain for the purchaser the benefit of any applicable manufacturer's warranty.

# 103mm COMMERCIAL FRAME FRONT CAP GLAZED - SINGLE GLAZED

---



## CONTENTS

### 1 SPECIFICATION

1.1 Performance and features

### 2 LOAD CHARTS

2.1-2.7 Wind Pressure Tables

### 3 EXTRUSIONS

3.1 - 3.11 Extrusion profiles

### 4 COMPONENTS

4.1 Accessories

### 5 GENERAL ARRANGEMENTS

5.1 - 5.10 Elevations and plan views

### 6 MACHINING DETAILS

6.1 - 6.4 Machining

### 7 GLAZING DETAILS

7.1 - 7.2 Glazing tables

### 8 SUBSILL DETAILS

8.1 Subhead sealing details

# 103mm COMMERCIAL FRAME FRONT CAP GLAZED - SINGLE GLAZED

## SPECIFICATION

---

### FRAME DIMENSIONS

- 103/123mm x 50mm

### MAX PERFORMANCE

- Serviceable Pressure: +/-2000Pa
- Ultimate Pressure: +/-3000Pa
- Water Penetration: 600Pa Water

### MAXIMUM SIZES

- Max mullion height: 3750
- Max mullion centres: 2000

Refer wind load charts for sizing and pressures.

### GLAZING

- Single Glazed: 4mm - 12mm

# 103mm COMMERCIAL FRAME FRONT CAP GLAZED - SINGLE GLAZED

## LOAD TABLE - CF246 / CF247 STANDARD SPLIT MULLION

### SECTION PROPERTIES

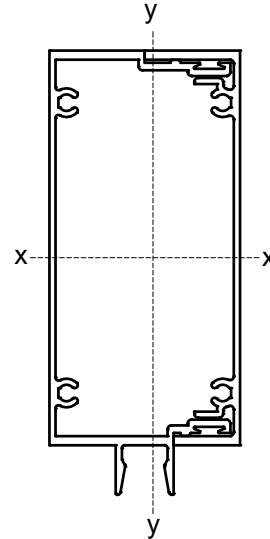
$I_{xx}: 1412 \times 10^3 \text{ mm}^4$

Alloy: 6060 T5

Max Stress 110 Mpa

S = Serviceability limit state I/250

U = Ultimate limit state



Mullion Height	Maximum Design Pressure (Pa)							
3750	S	720	580					
	U	1900	1530					
3600	S	820	660	560				
	U	2070	1670	1400				
3450	S	930	750	640	560			
	U	2250	1820	1540	1340			
3300	S	1070	870	730	640	570		
	U	2470	1990	1680	1470	1310		
3150	S	1230	1000	850	740	670	610	570
	U	2710	2200	1860	1620	1450	1320	1220
3000	S	1430	1160	990	870	780	720	670
	U	3000	2430	2060	1800	1610	1480	1370
2850	S	1680	1360	1160	1020	920	850	800
	U	3000	2710	2300	2010	1810	1660	1550
2700	S	1980	1610	1380	1220	1100	1020	960
	U	3000	3000	2580	2270	2040	1880	1770
2550	S	2000	1930	1650	1470	1330	1240	1180
	U	3000	3000	2920	2570	2330	2160	2040
2400	S	2000	2000	2000	1790	1640	1530	1470
	U	3000	3000	3000	2950	2680	2500	2380
Mullion Ctrs		800	1000	1200	1400	1600	1800	2000

This table is based on theoretical section properties

# 103mm COMMERCIAL FRAME FRONT CAP GLAZED - SINGLE GLAZED

## LOAD TABLE - CF259 / CF252 MED DUTY SPLIT MULLION

### SECTION PROPERTIES

$I_{xx}: 1658 \times 10^3 \text{ mm}^4$

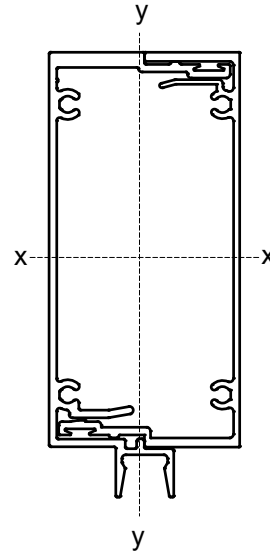
Alloy: 6060 T5

Max Stress 110 Mpa

S = Serviceability limit state I/250

U = Ultimate limit state

Max weight is limited by 4mm max deflection with setting blocks at 1/8 points



Mullion Height	Maximum Design Pressure (Pa)							
3750	S	850	690	580				
	U	2030	1630	1380				
3600	S	960	780	660	570			
	U	2200	1780	1500	1300			
3450	S	1100	890	750	650	580		
	U	2400	1940	1640	1420	1270		
3300	S	1260	1020	860	750	670	610	570
	U	2630	2130	1800	1570	1400	1270	1170
3150	S	1450	1170	1000	870	780	720	660
	U	2890	2340	1980	1730	1550	1410	1310
3000	S	1680	1370	1160	1020	920	840	780
	U	3000	2590	2200	1920	1720	1570	1460
2850	S	1970	1600	1360	1200	1080	1000	940
	U	3000	2880	2450	2150	1930	1770	1650
2700	S	2000	1900	1620	1430	1300	1200	1130
	U	3000	3000	2750	2420	2180	2010	1880
2550	S	2000	2000	1940	1720	1570	1460	1380
	U	3000	3000	3000	2740	2480	2300	2170
2400	S	2000	2000	2000	2000	1920	1800	1720
	U	3000	3000	3000	3000	2860	2670	2540
Mullion Ctrs		800	1000	1200	1400	1600	1800	2000

This table is based on theoretical section properties

# 103mm COMMERCIAL FRAME FRONT CAP GLAZED - SINGLE GLAZED

## LOAD TABLE - CF259 / CF252HD HEAVY DUTY SPLIT MULLION

### SECTION PROPERTIES

$I_{xx}: 1733 \times 10^3 \text{ mm}^4$

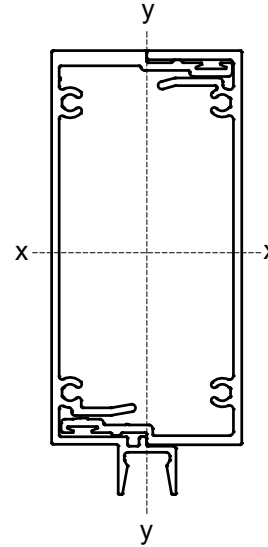
Alloy: 6060 T5

Max Stress 110 Mpa

S = Serviceability limit state I/250

U = Ultimate limit state

Max weight is limited by 4mm max deflection with setting blocks at 1/8 points



Mullion Height	Maximum Design Pressure (Pa)							
3750	S	890	720	600	530			
	U	2120	1710	1440	1250			
3600	S	1010	810	690	600	530		
	U	2300	1860	1570	1360	1210		
3450	S	1150	930	780	680	610	550	
	U	2510	2030	1710	1490	1330	1200	
3300	S	1310	1060	900	790	700	640	590
	U	2750	2220	1880	1640	1460	1330	1230
3150	S	1510	1230	1040	910	820	750	700
	U	3000	2450	2070	1810	1620	1470	1360
3000	S	1760	1430	1210	1070	960	880	820
	U	3000	2710	2300	2010	1800	1650	1530
2850	S	2000	1680	1430	1260	1130	1040	980
	U	3000	3000	2560	2240	2020	1850	1730
2700	S	2000	1980	1690	1490	1350	1250	1180
	U	3000	3000	2870	2530	2280	2100	1970
2550	S	2000	2000	2000	1800	1640	1520	1450
	U	3000	3000	3000	2870	2600	2410	2270
2400	S	2000	2000	2000	2000	2000	1880	1800
	U	3000	3000	3000	3000	2990	2790	2650
Mullion Ctrs		800	1000	1200	1400	1600	1800	2000

This table is based on theoretical section properties

# 103mm COMMERCIAL FRAME FRONT CAP GLAZED - SINGLE GLAZED

## LOAD TABLE - CF252 SELF MATING MULLION

### SECTION PROPERTIES

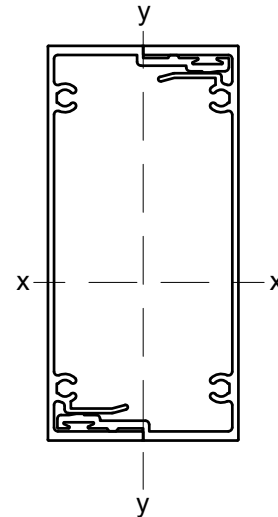
$I_{xx}: 1334 \times 10^3 \text{ mm}^4$

Alloy: 6060 T5

Max Stress 110 Mpa

S = Serviceability limit state I/250

U = Ultimate limit state



Mullion Height	Maximum Design Pressure (Pa)							
3750	S	680	550					
	U	1960	1580					
3600	S	770	620	530				
	U	2130	1720	1450				
3450	S	880	710	600	520			
	U	2320	1870	1580	1380			
3300	S	1010	820	690	600	540		
	U	2540	2050	1740	1510	1350		
3150	S	1160	940	800	700	630	570	
	U	2790	2260	1910	1670	1490	1360	
3000	S	1350	1100	930	820	740	680	630
	U	3000	2500	2120	1860	1660	1520	1410
2850	S	1580	1290	1100	970	870	800	750
	U	3000	2790	2370	2070	1860	1710	1600
2700	S	1870	1520	1300	1150	1040	960	910
	U	3000	3000	2660	2330	2110	1940	1820
2550	S	2000	1820	1560	1380	1260	1170	1110
	U	3000	3000	3000	2650	2400	2220	2100
2400	S	2000	2000	1900	1690	1550	1450	1380
	U	3000	3000	3000	3000	2760	2580	2450
Mullion Ctrs		800	1000	1200	1400	1600	1800	2000

This table is based on theoretical section properties

# 103mm COMMERCIAL FRAME FRONT CAP GLAZED - SINGLE GLAZED

## LOAD TABLE - CF252HD SELF MATING MULLION

### SECTION PROPERTIES

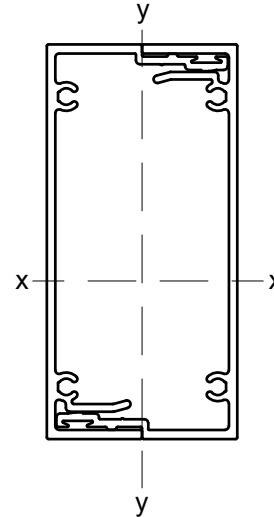
$I_{xx}: 1486 \times 10^3 \text{ mm}^4$

Alloy: 6060 T5

Max Stress 110 Mpa

S = Serviceability limit state I/250

U = Ultimate limit state



Mullion Height	Maximum Design Pressure (Pa)							
3750	S	760	610					
	U	2100	1700					
3600	S	860	700	590				
	U	2280	1840	1550				
3450	S	980	790	670	590			
	U	2490	2010	1700	1480			
3300	S	1120	910	770	670	600		
	U	2730	2210	1860	1620	1450		
3150	S	1300	1050	890	780	700	640	
	U	3000	2430	2060	1790	1600	1460	
3000	S	1510	1220	1040	910	820	750	700
	U	3000	2690	2280	1990	1790	1630	1520
2850	S	1760	1440	1220	1080	970	890	840
	U	3000	2990	2540	2230	2000	1840	1710
2700	S	2000	1700	1450	1280	1160	1070	1010
	U	3000	3000	2850	2510	2260	2080	1960
2550	S	2000	2000	1740	1540	1400	1310	1240
	U	3000	3000	3000	2850	2580	2390	2250
2400	S	2000	2000	2000	1880	1720	1610	1540
	U	3000	3000	3000	3000	2970	2770	2630
Mullion Ctrs		800	1000	1200	1400	1600	1800	2000

This table is based on theoretical section properties

# 103mm COMMERCIAL FRAME FRONT CAP GLAZED - SINGLE GLAZED

## LOAD TABLE - CF291 SG BOXED TRANSOM

### SECTION PROPERTIES

$I_{xx}: 1034 \times 10^3 \text{ mm}^4$

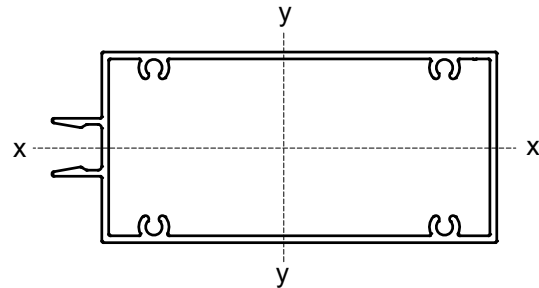
$I_{yy}: 285 \times 10^3 \text{ mm}^4$

Alloy: 6060 T5

Max Stress 110 Mpa

S = Serviceability limit state l/250

U = Ultimate limit state



Transom Ctrs	Maximum Design Pressure (Pa)							
	1700	S	2000	2000	2000	2000	2000	2000
	U	3000	3000	3000	3000	3000	3000	3000
1600	S	2000	2000	2000	2000	2000	2000	2000
	U	3000	3000	3000	3000	3000	3000	3000
1500	S	2000	2000	2000	2000	2000	2000	2000
	U	3000	3000	3000	3000	3000	3000	3000
1400	S	2000	2000	2000	2000	2000	2000	2000
	U	3000	3000	3000	3000	3000	3000	3000
1300	S	2000	2000	2000	2000	2000	2000	2000
	U	3000	3000	3000	3000	3000	3000	3000
1200	S	2000	2000	2000	2000	2000	2000	2000
	U	3000	3000	3000	3000	3000	3000	3000
1100	S	2000	2000	2000	2000	2000	2000	2000
	U	3000	3000	3000	3000	3000	3000	3000
1000	S	2000	2000	2000	2000	2000	2000	2000
	U	3000	3000	3000	3000	3000	3000	3000
900	S	2000	2000	2000	2000	2000	2000	2000
	U	3000	3000	3000	3000	3000	3000	3000
800	S	2000	2000	2000	2000	2000	2000	2000
	U	3000	3000	3000	3000	3000	3000	3000
Max Weight		80	80	80	80	80	80	80
Transom length		1200	1300	1400	1500	1600	1700	1800

This table is based on theoretical section properties

# 103mm COMMERCIAL FRAME FRONT CAP GLAZED - SINGLE GLAZED

## LOAD TABLE - CF241 SG FRAME / TRANSOM

### SECTION PROPERTIES

$I_{xx}: 820 \times 10^3 \text{ mm}^4$

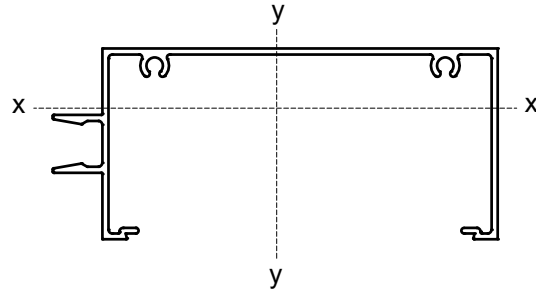
$I_{yy}: 126 \times 10^3 \text{ mm}^4$

Alloy: 6060 T5

Max Stress 110 Mpa

S = Serviceability limit state I/250

U = Ultimate limit state

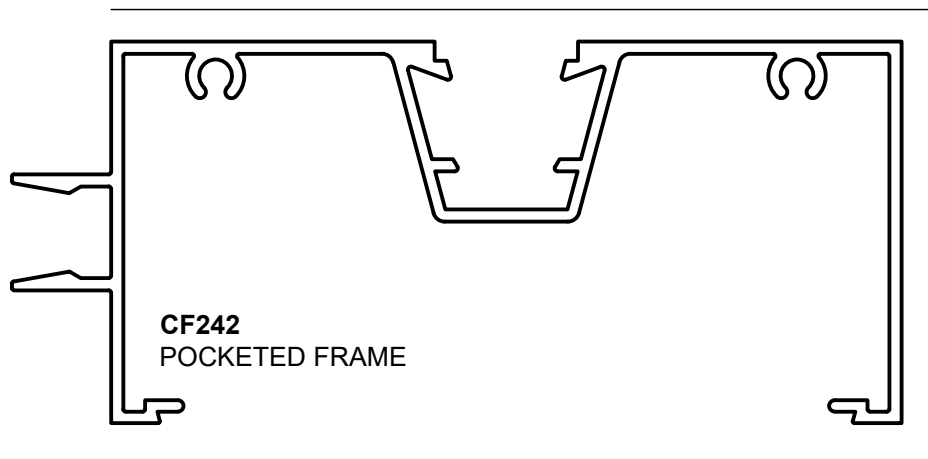
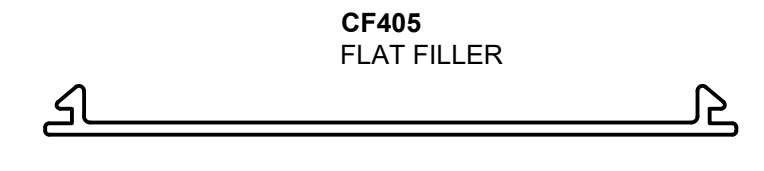
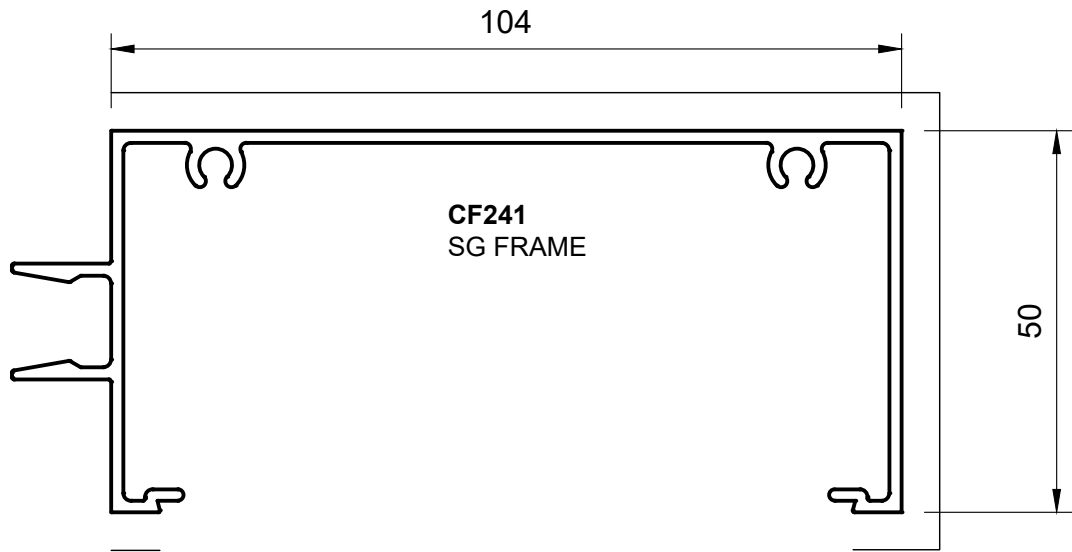


Transom Ctrs	Maximum Design Pressure (Pa)							
	S	2000	2000	2000	2000	2000	2000	2000
1700	S	2000	2000	2000	2000	2000	2000	2000
	U	3000	3000	3000	3000	3000	3000	3000
1600	S	2000	2000	2000	2000	2000	2000	2000
	U	3000	3000	3000	3000	3000	3000	3000
1500	S	2000	2000	2000	2000	2000	2000	2000
	U	3000	3000	3000	3000	3000	3000	3000
1400	S	2000	2000	2000	2000	2000	2000	2000
	U	3000	3000	3000	3000	3000	3000	3000
1300	S	2000	2000	2000	2000	2000	2000	2000
	U	3000	3000	3000	3000	3000	3000	3000
1200	S	2000	2000	2000	2000	2000	2000	2000
	U	3000	3000	3000	3000	3000	3000	3000
1100	S	2000	2000	2000	2000	2000	2000	2000
	U	3000	3000	3000	3000	3000	3000	3000
1000	S	2000	2000	2000	2000	2000	2000	2000
	U	3000	3000	3000	3000	3000	3000	3000
900	S	2000	2000	2000	2000	2000	2000	2000
	U	3000	3000	3000	3000	3000	3000	3000
800	S	2000	2000	2000	2000	2000	2000	2000
	U	3000	3000	3000	3000	3000	3000	3000
Max Weight		1200	1300	1400	1500	1600	1700	1800
Transom length		1200	1300	1400	1500	1600	1700	1800

This table is based on theoretical section properties

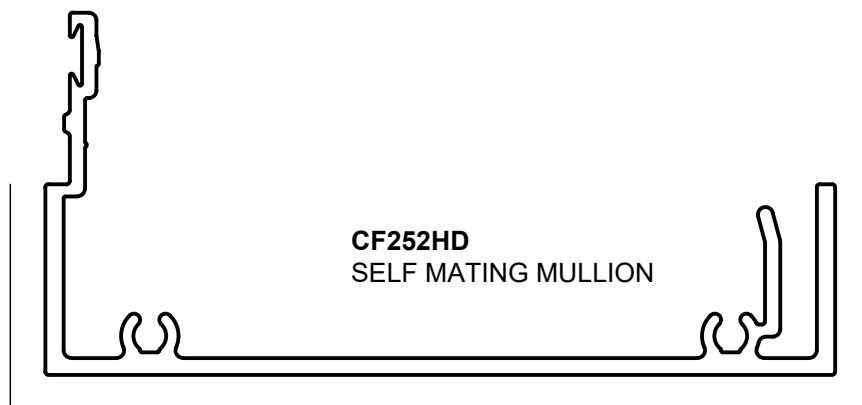
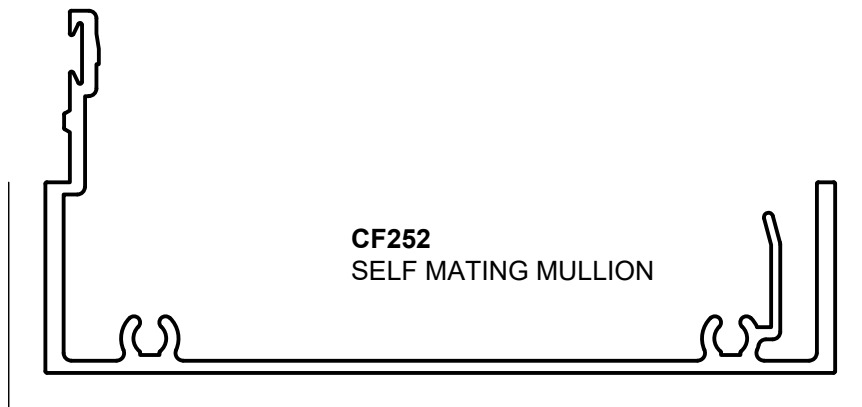
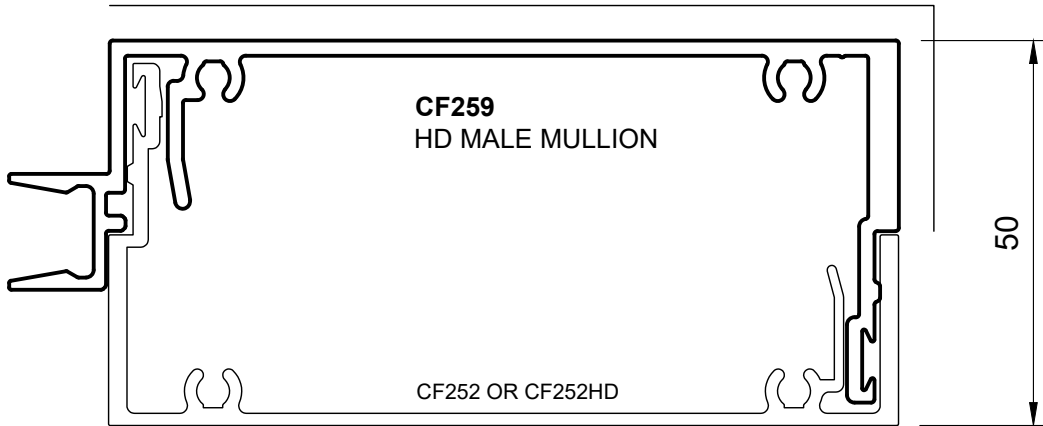
# 103mm COMMERCIAL FRAME FRONT CAP GLAZED - SINGLE GLAZED

## EXTRUSION PROFILES

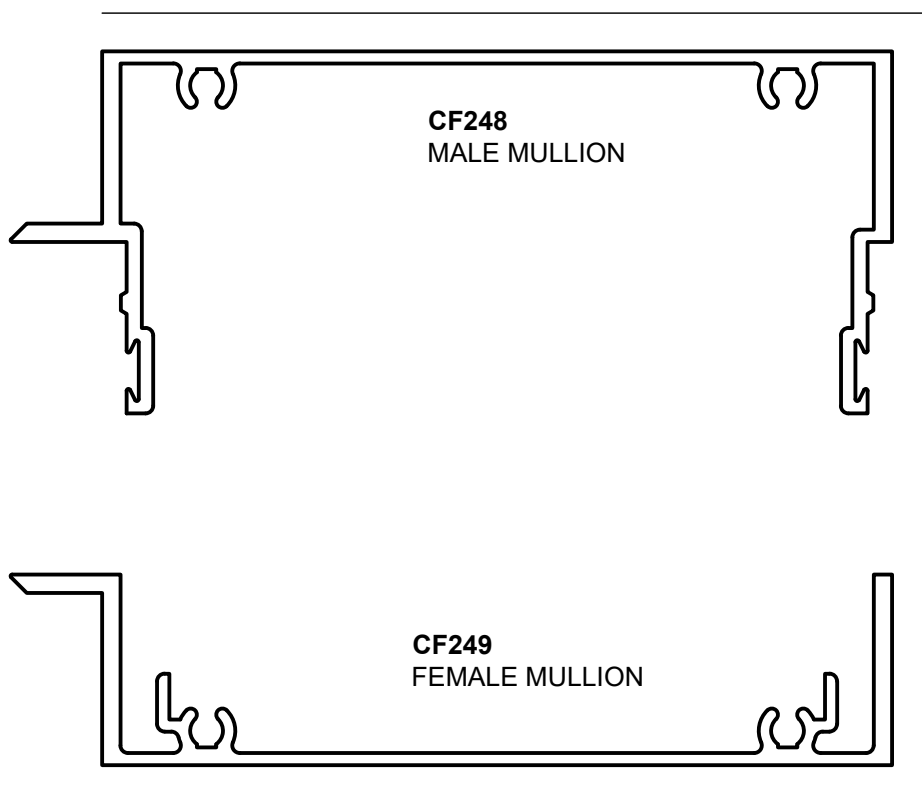


# 103mm COMMERCIAL FRAME FRONT CAP GLAZED - SINGLE GLAZED

## EXTRUSION PROFILES



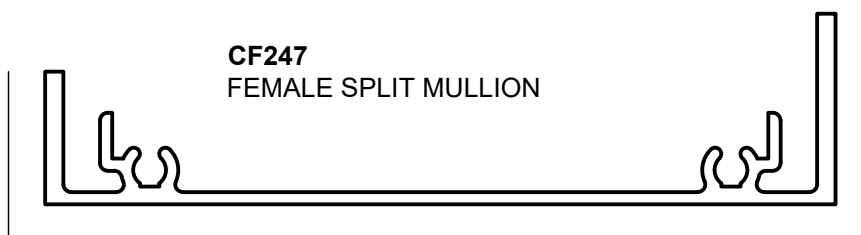
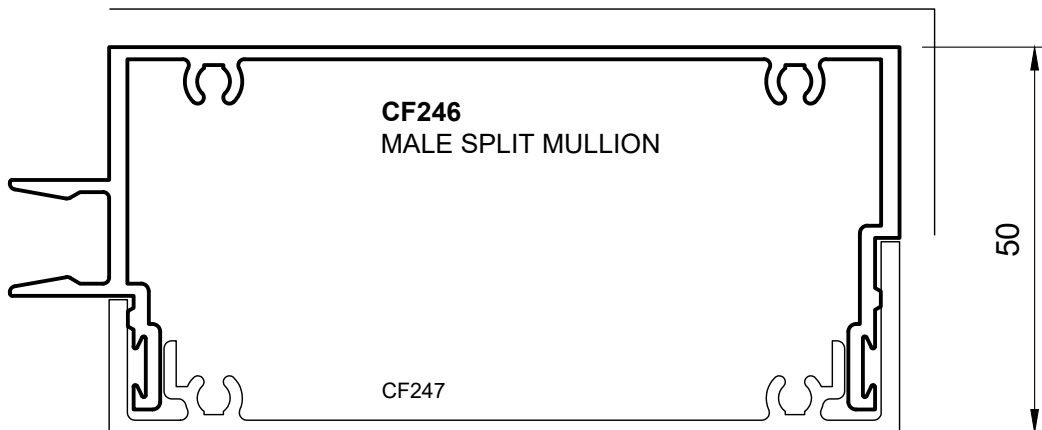
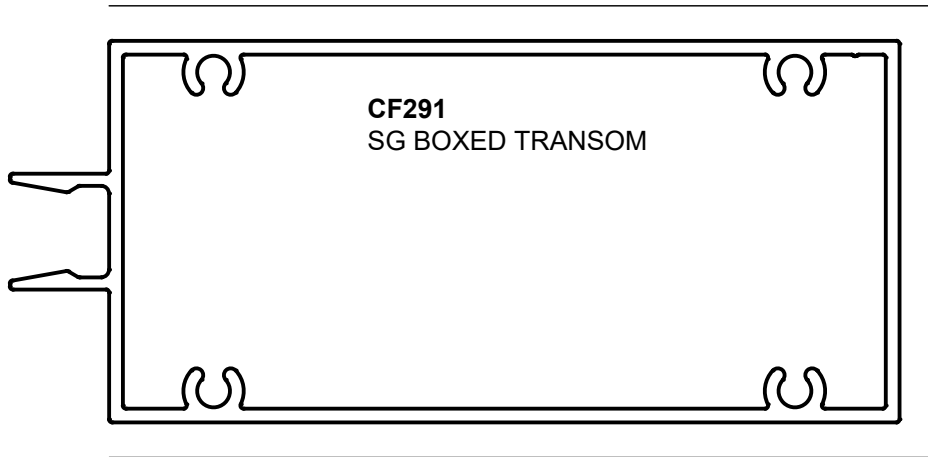
# 103mm COMMERCIAL FRAME FRONT CAP GLAZED - SINGLE GLAZED EXTRUSION PROFILES



**NOTE:**

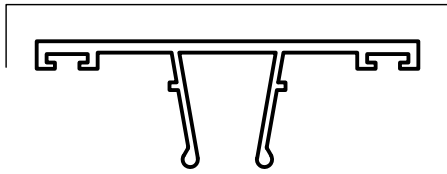
- SILICONE GLAZING METHOD TO BE DETERMINED BY AN ENGINEER ON A JOB BY JOB BASIS

# 103mm COMMERCIAL FRAME FRONT CAP GLAZED - SINGLE GLAZED EXTRUSION PROFILES

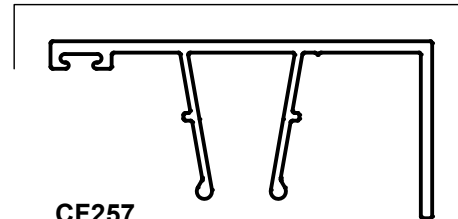


# 103mm COMMERCIAL FRAME FRONT CAP GLAZED - SINGLE GLAZED

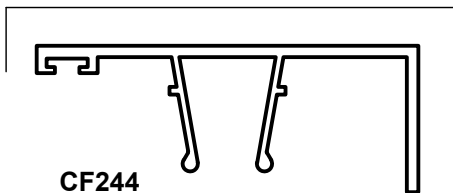
## EXTRUSION PROFILES



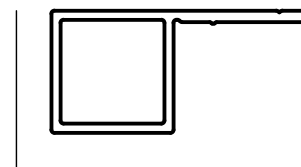
**CF243**  
16mm SNAP ON COVER



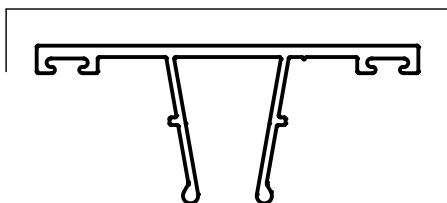
**CF257**  
20mm RETURN COVER



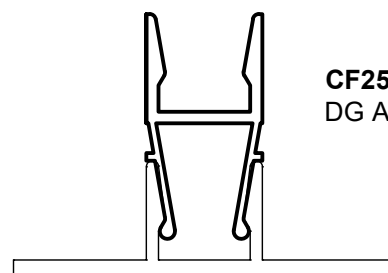
**CF244**  
16mm RETURN COVER



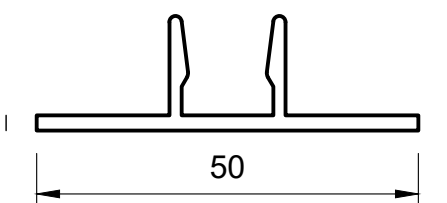
**CF292**  
SPANDREL ADAPTOR



**CF256**  
20mm SNAP ON COVER

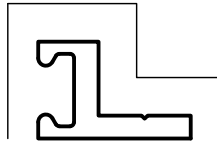


**CF253**  
DG ADAPTOR



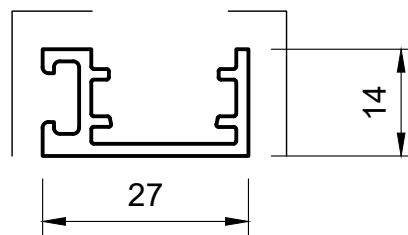
**CF250**  
SG PLANT ON BASE

# 103mm COMMERCIAL FRAME FRONT CAP GLAZED - SINGLE GLAZED EXTRUSION PROFILES

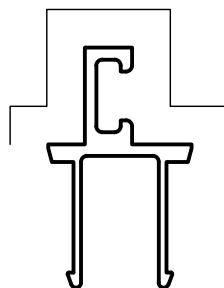


**CF429**  
PLANT ON DOOR STOP

**CF306**  
POCKER FILLER



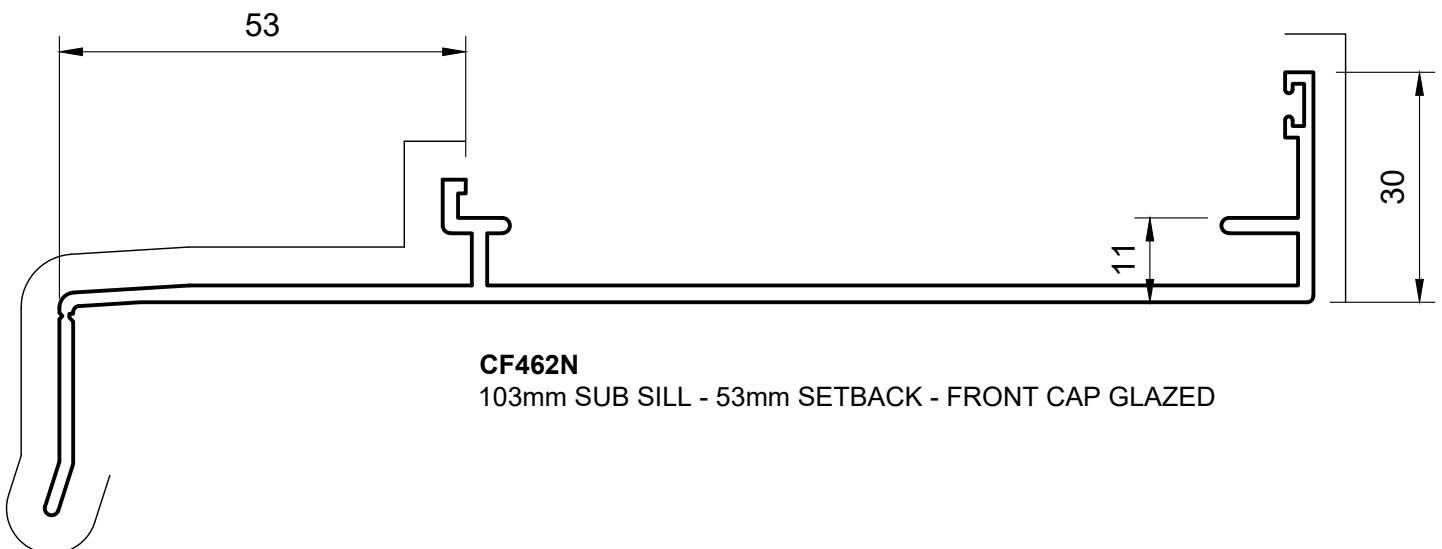
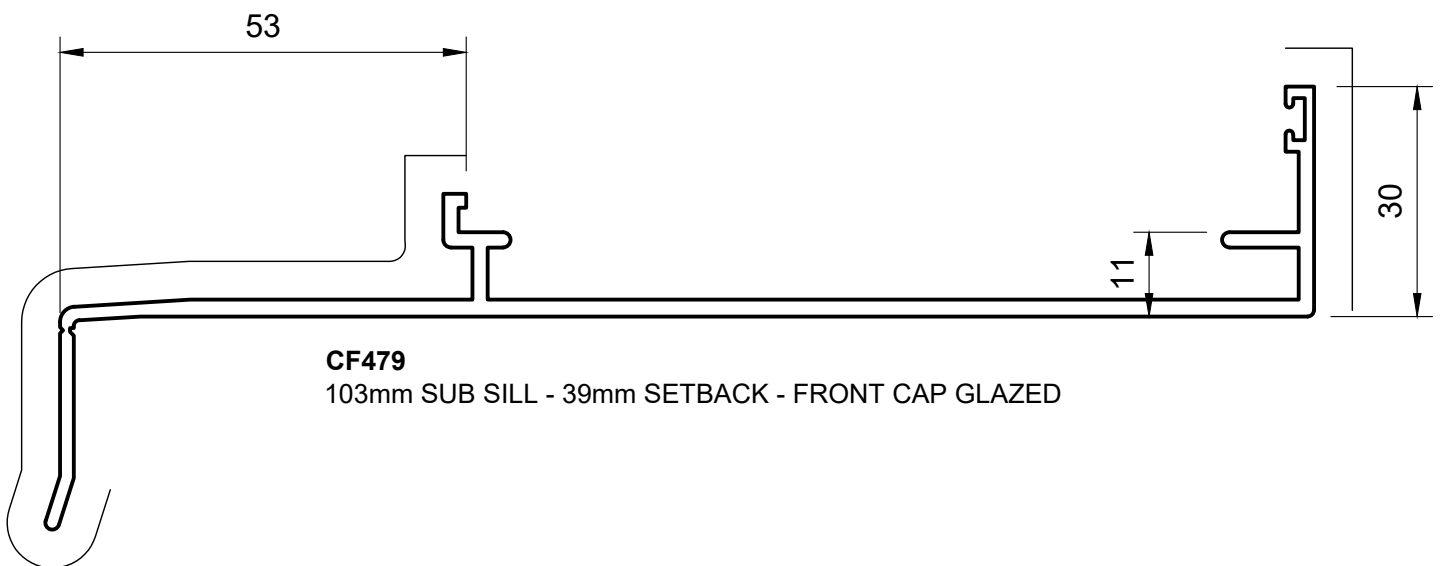
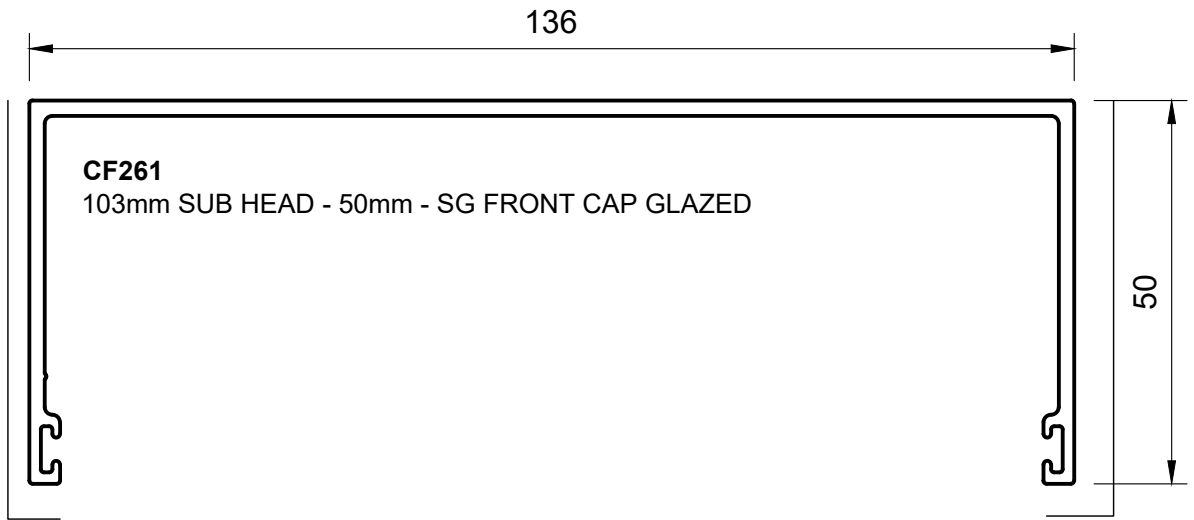
**CF429C**  
CONCEALED PLANT ON  
DOOR STOP



**CF407**  
45mm DOOR STOP

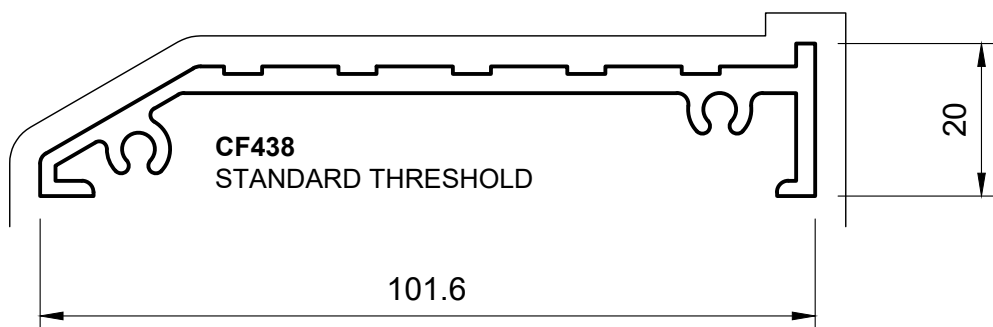
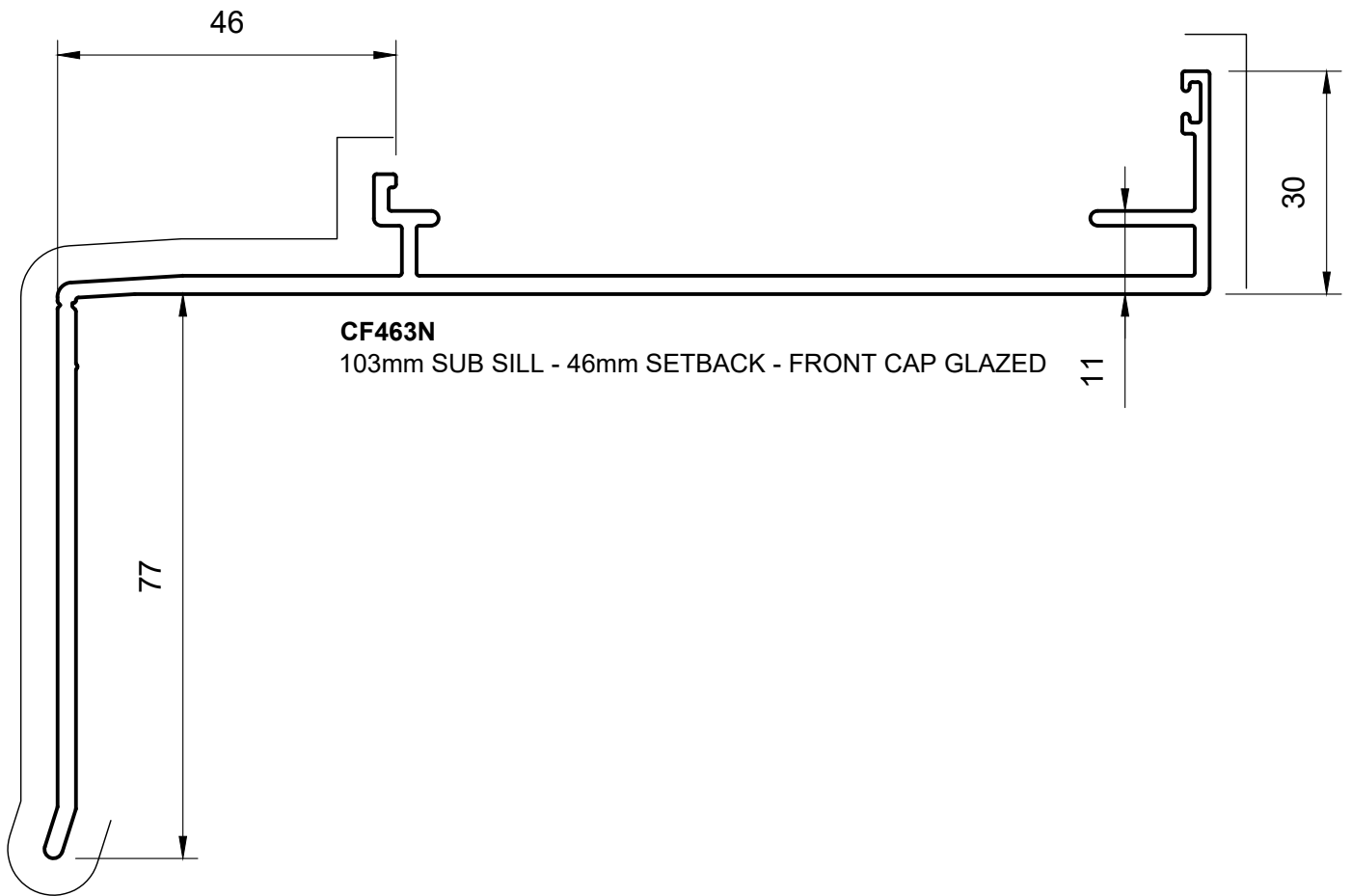
# 103mm COMMERCIAL FRAME FRONT CAP GLAZED - SINGLE GLAZED

## EXTRUSION PROFILES

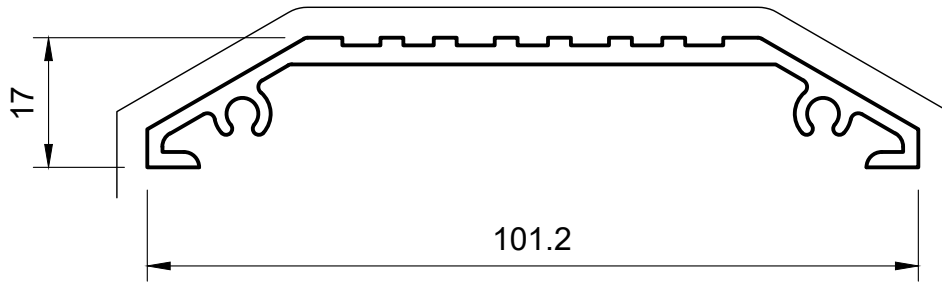


# 103mm COMMERCIAL FRAME FRONT CAP GLAZED - SINGLE GLAZED

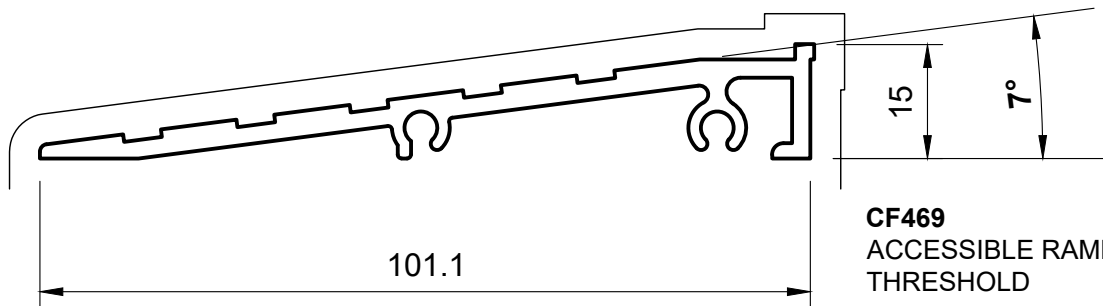
## EXTRUSION PROFILES



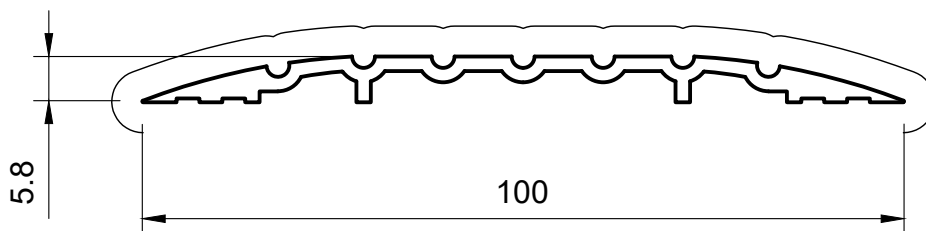
# 103mm COMMERCIAL FRAME FRONT CAP GLAZED - SINGLE GLAZED EXTRUSION PROFILES



**CF468**  
BEVELLED  
THRESHOLD



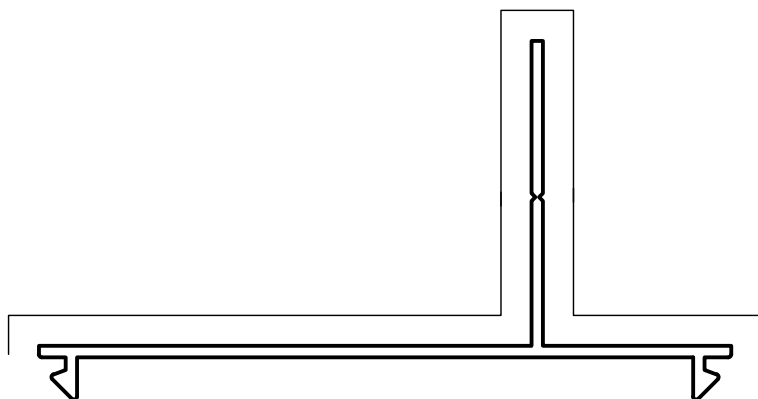
**CF469**  
ACCESSIBLE RAMP  
THRESHOLD



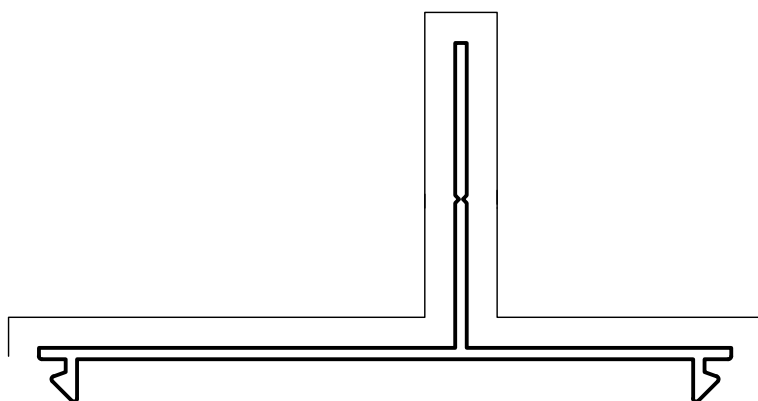
**CF469**  
LOW PROFILE  
THRESHOLD

# 103mm COMMERCIAL FRAME FRONT CAP GLAZED - SINGLE GLAZED

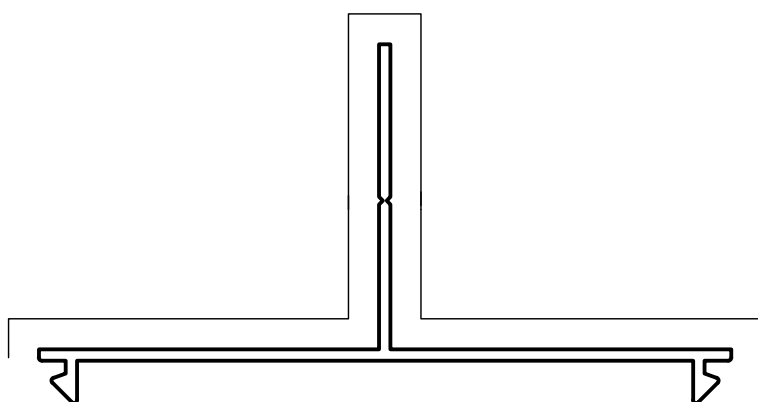
## EXTRUSION PROFILES



**CF484**  
30mm REVEAL ADAPTOR



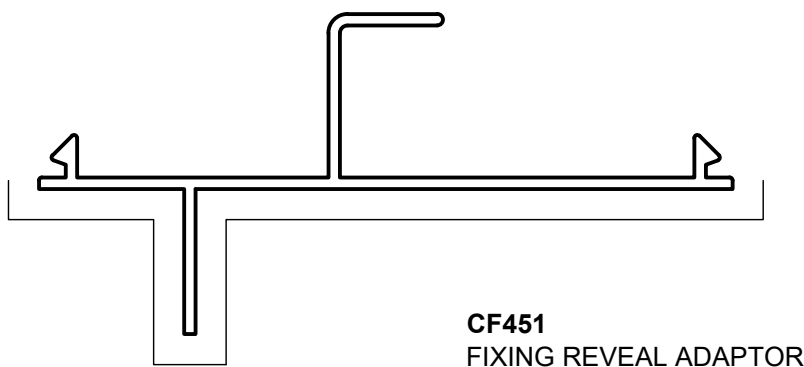
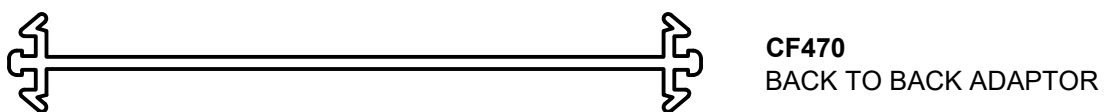
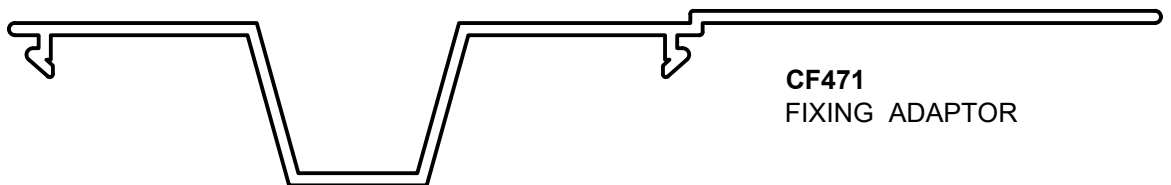
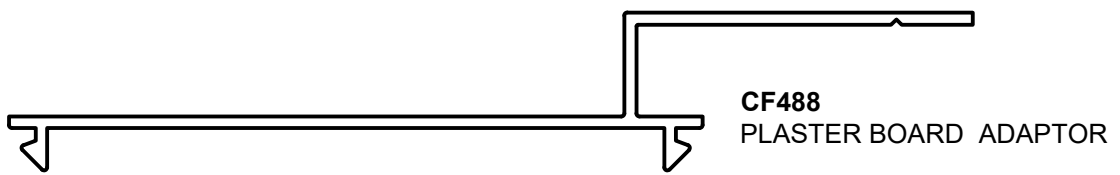
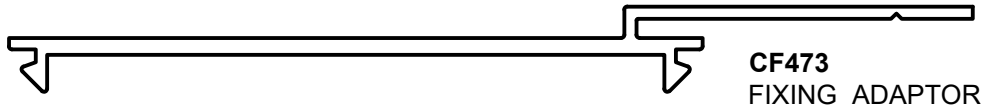
**CF485**  
40mm REVEAL ADAPTOR



**CF486**  
50mm REVEAL ADAPTOR

# 103mm COMMERCIAL FRAME FRONT CAP GLAZED - SINGLE GLAZED

## EXTRUSION PROFILES

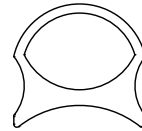


# 103mm COMMERCIAL FRAME FRONT CAP GLAZED - SINGLE GLAZED

## ACCESSORIES

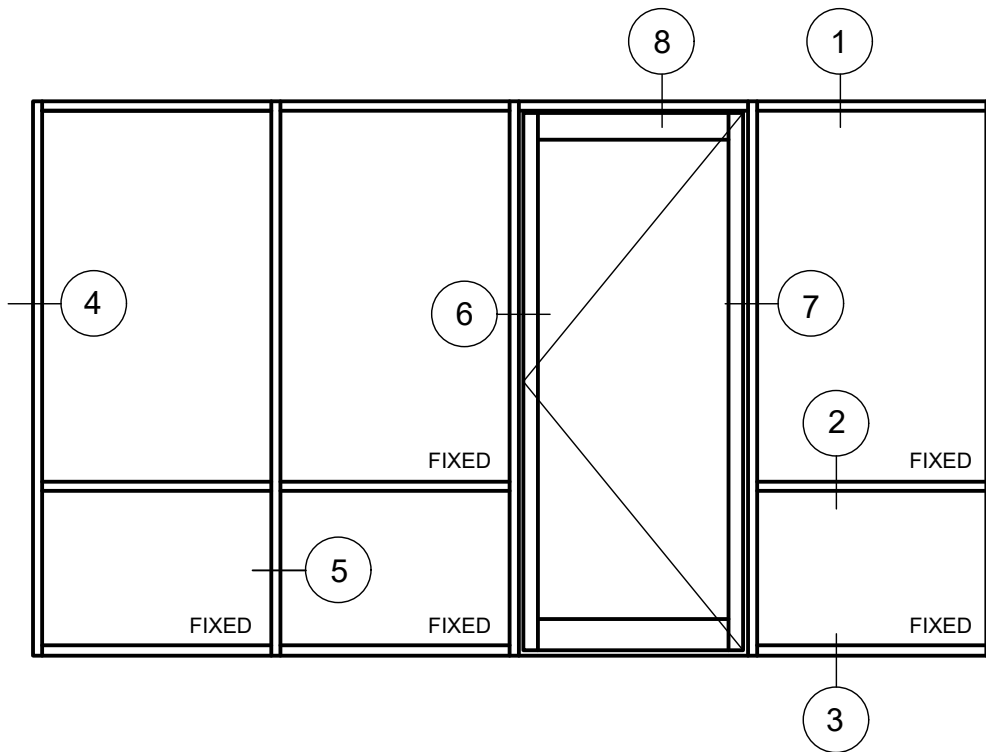


**CFH5**  
MULLION SEAL  
200m ROLL



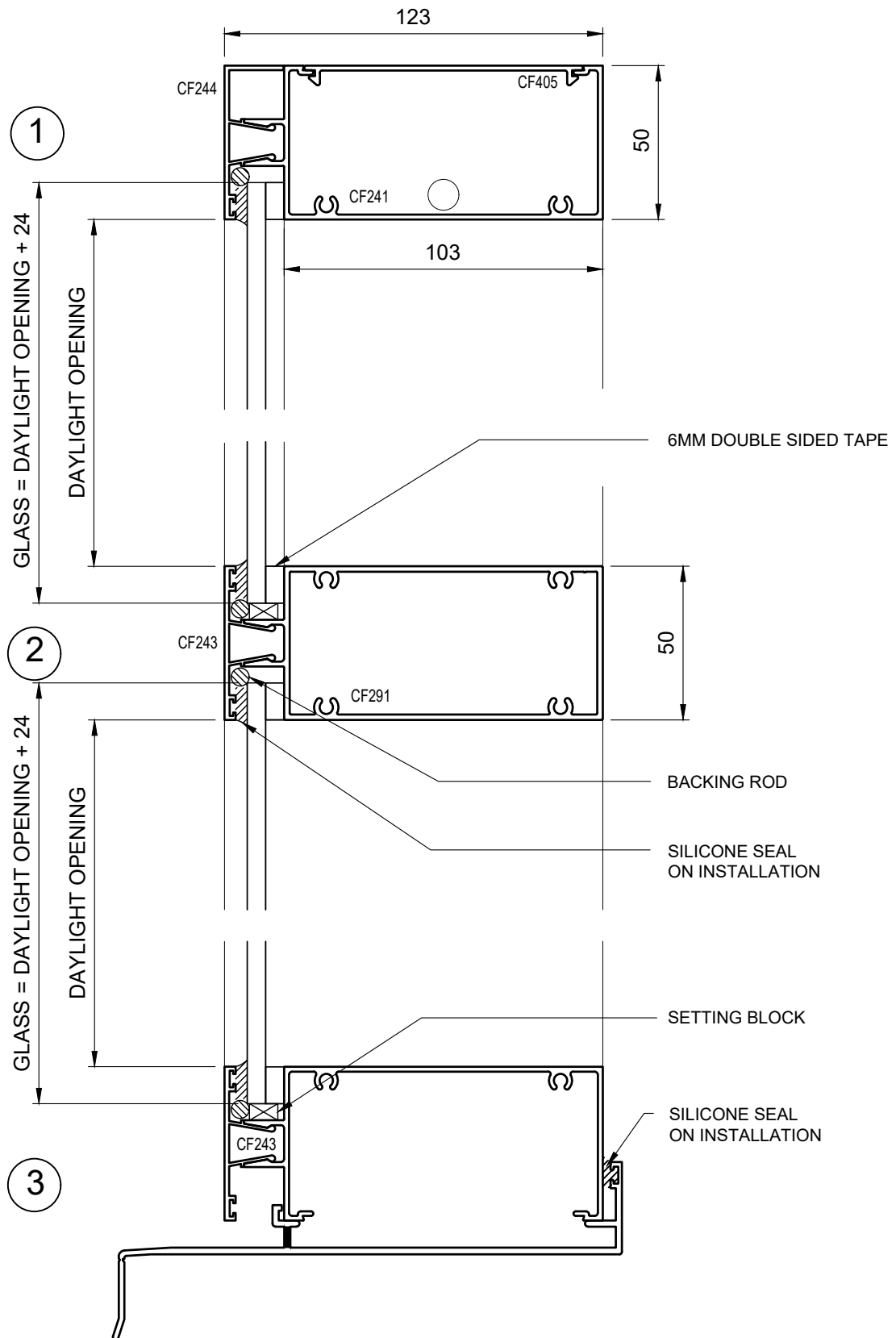
**CFH4**  
DOOR BUFFER  
200m ROLL

# 103mm COMMERCIAL FRAME FRONT CAP GLAZED - SINGLE GLAZED CONFIGURATIONS



# 103mm COMMERCIAL FRAME FRONT CAP GLAZED - SINGLE GLAZED

## VERTICAL DETAIL - FRONT CAP GLAZED

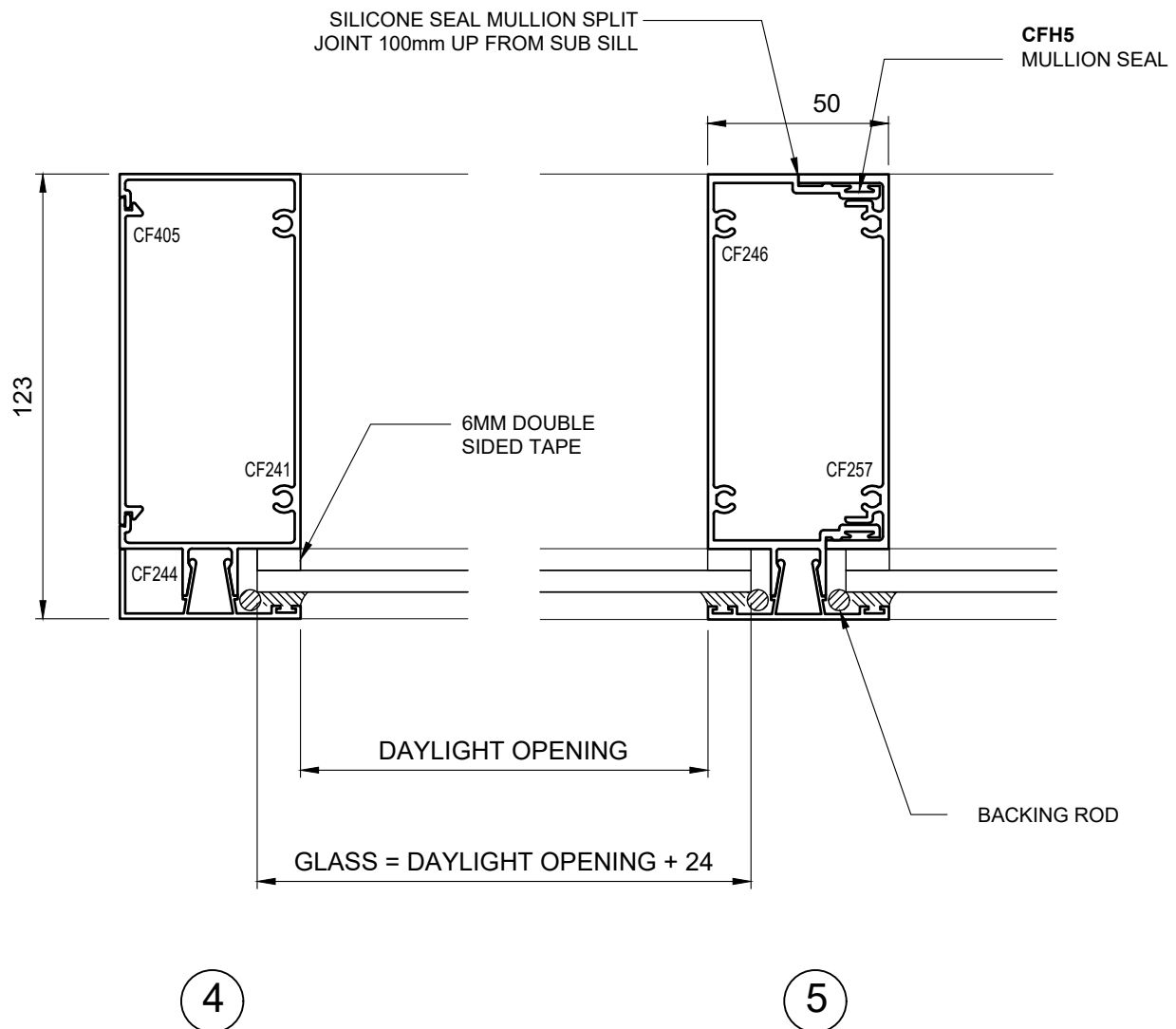


**NOTE:**

- ALL JOINTS TO BE SEALED USING A SUITABLE SMALL JOINT SEALANT OR CLOSED CELL FRAME GASKET

# 103mm COMMERCIAL FRAME FRONT CAP GLAZED - SINGLE GLAZED

## HORIZONTAL DETAIL - FRONT CAP GLAZED - SPLIT MULLION

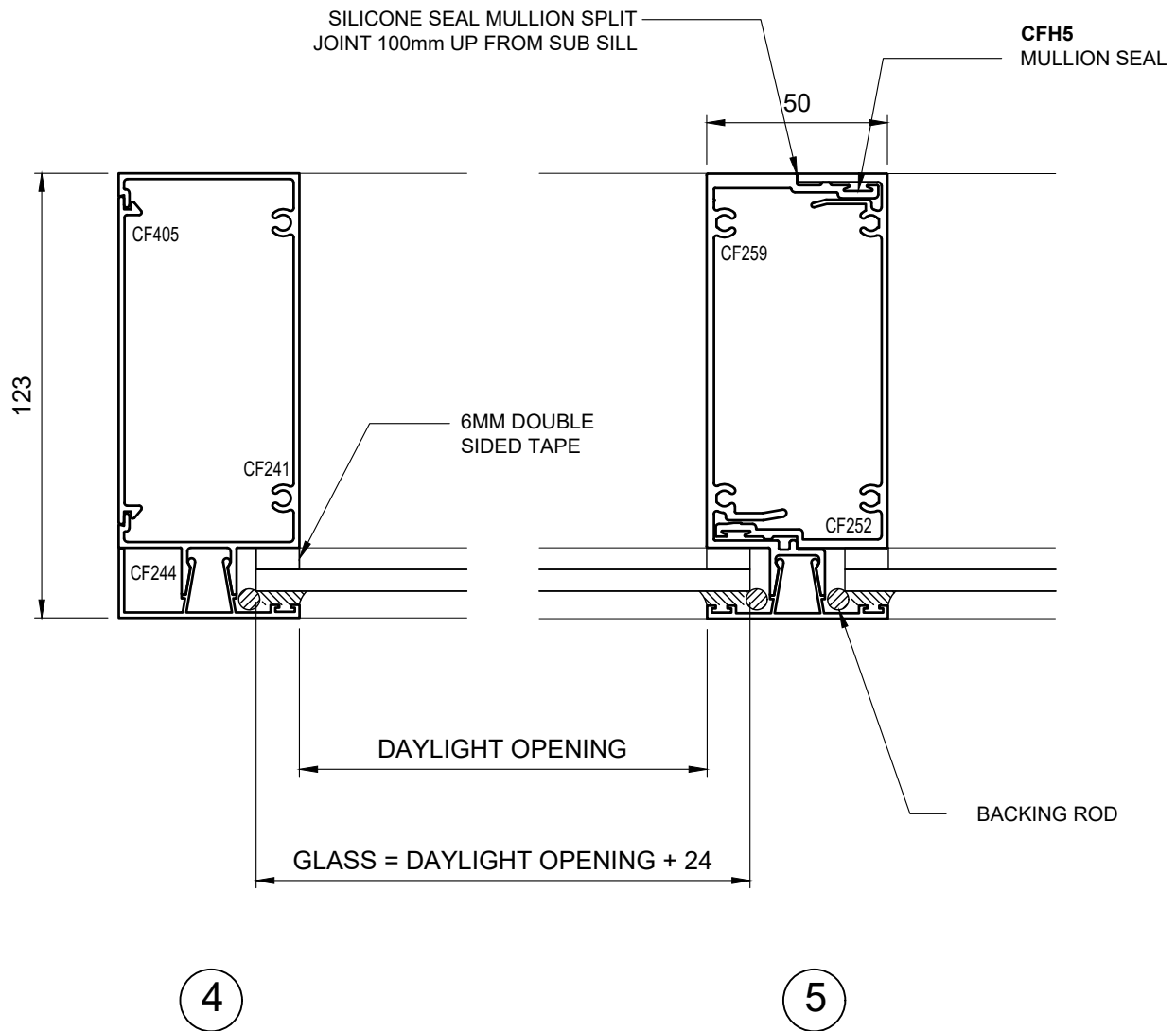


NOTE:

- ALL JOINTS TO BE SEALED USING A SUITABLE SMALL JOINT SEALANT OR CLOSED CELL FRAME GASKET

# 103mm COMMERCIAL FRAME FRONT CAP GLAZED - SINGLE GLAZED

## HORIZONTAL DETAIL - FRONT CAP GLAZED - STD SPLIT MULLION

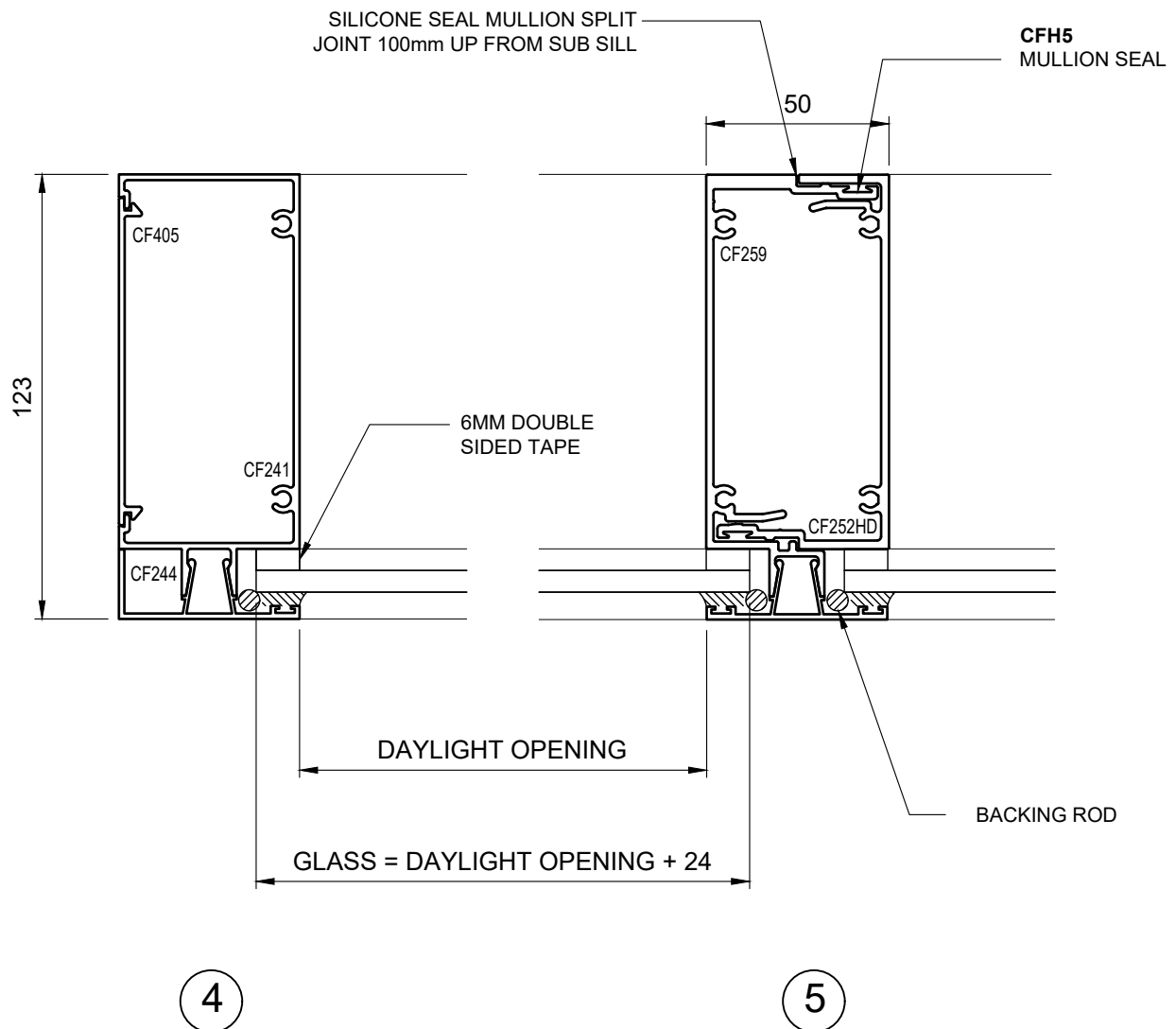


**NOTE:**

- ALL JOINTS TO BE SEALED USING A SUITABLE SMALL JOINT SEALANT OR CLOSED CELL FRAME GASKET

# 103mm COMMERCIAL FRAME FRONT CAP GLAZED - SINGLE GLAZED

## HORIZONTAL DETAIL - FRONT CAP GLAZED - HD SPLIT MULLION

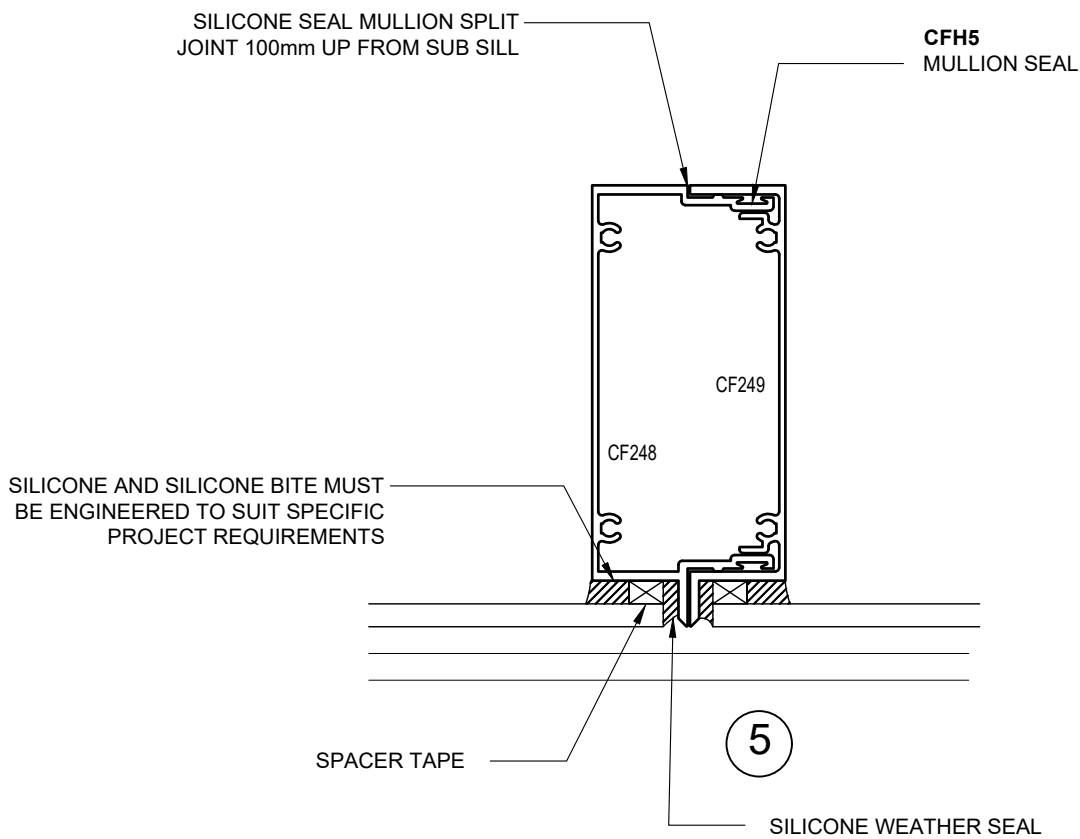


NOTE:

- ALL JOINTS TO BE SEALED USING A SUITABLE SMALL JOINT SEALANT OR CLOSED CELL FRAME GASKET

# 103mm COMMERCIAL FRAME FRONT CAP GLAZED - SINGLE GLAZED

## HORIZONTAL DETAIL - FRONT CAP GLAZED - SPLIT MULLION

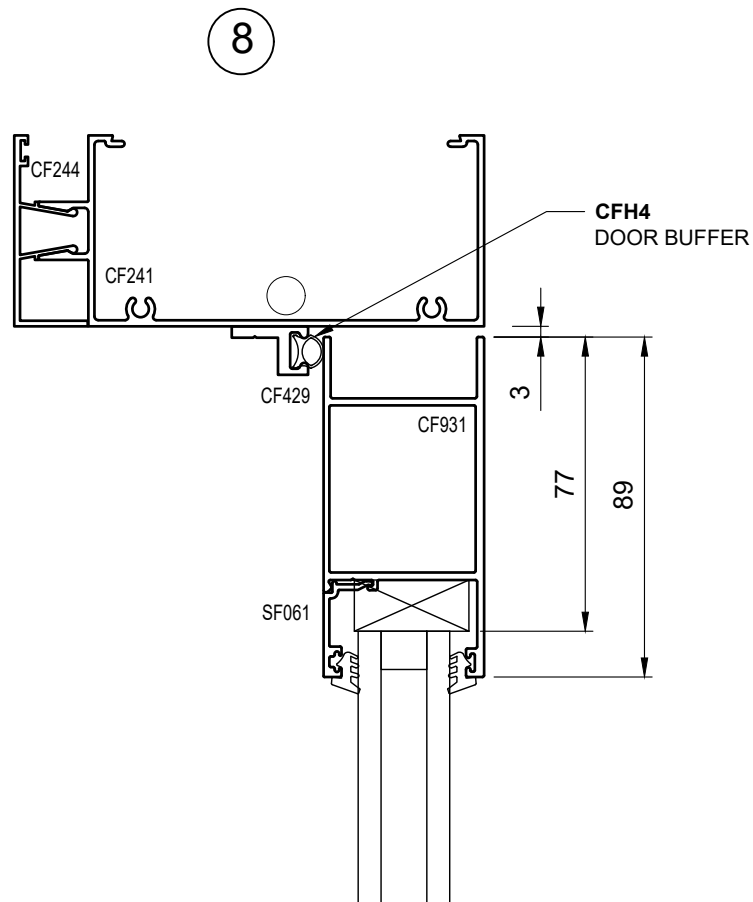


**NOTE:**

- ALL JOINTS TO BE SEALED USING A SUITABLE SMALL JOINT SEALANT OR CLOSED CELL FRAME GASKET

# 103mm COMMERCIAL FRAME FRONT CAP GLAZED - SINGLE GLAZED

## VERTICAL DETAIL - 45mm HINGED DOOR HEAD/TRANSOM - OPEN IN

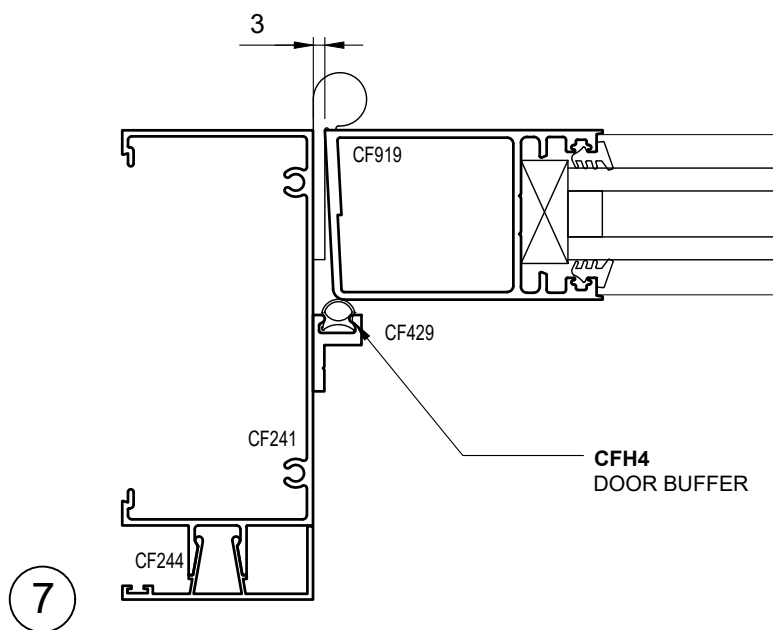


**NOTE:**

- ALL JOINTS TO BE SEALED USING A SUITABLE SMALL JOINT SEALANT OR CLOSED CELL FRAME GASKET

# 103mm COMMERCIAL FRAME FRONT CAP GLAZED - SINGLE GLAZED

## HORIZONTAL DETAIL - 45mm HINGED DOOR JAMB - OPEN IN

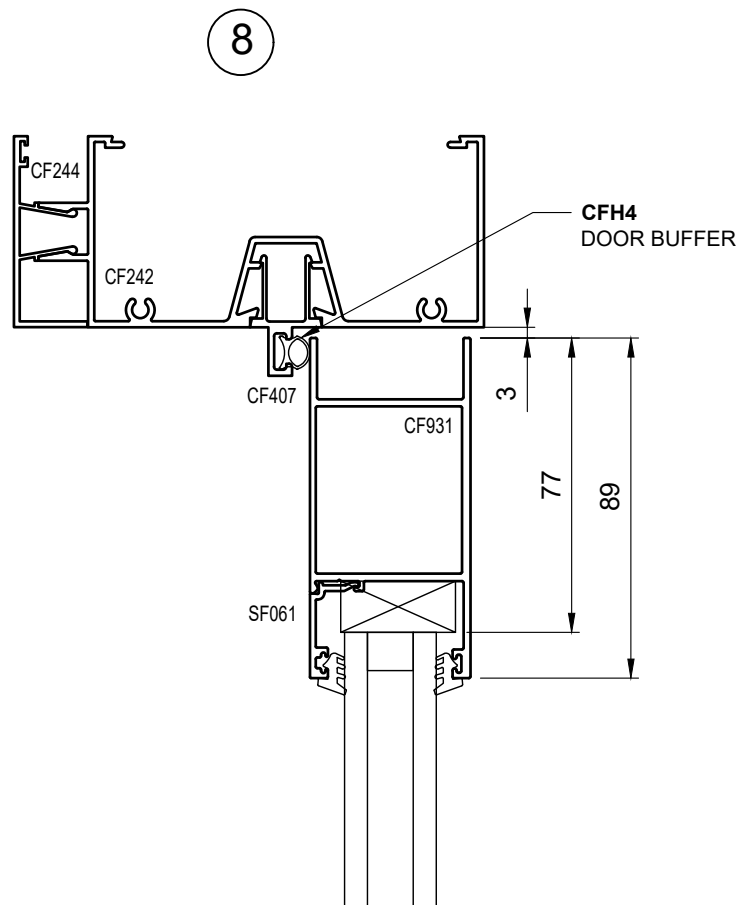


NOTE:

- ALL JOINTS TO BE SEALED USING A SUITABLE SMALL JOINT SEALANT OR CLOSED CELL FRAME GASKET

# 103mm COMMERCIAL FRAME FRONT CAP GLAZED - SINGLE GLAZED

VERTICAL DETAIL - 45mm HINGED DOOR HEAD/TRANSOM  
OPEN IN - POCKETED FRAME

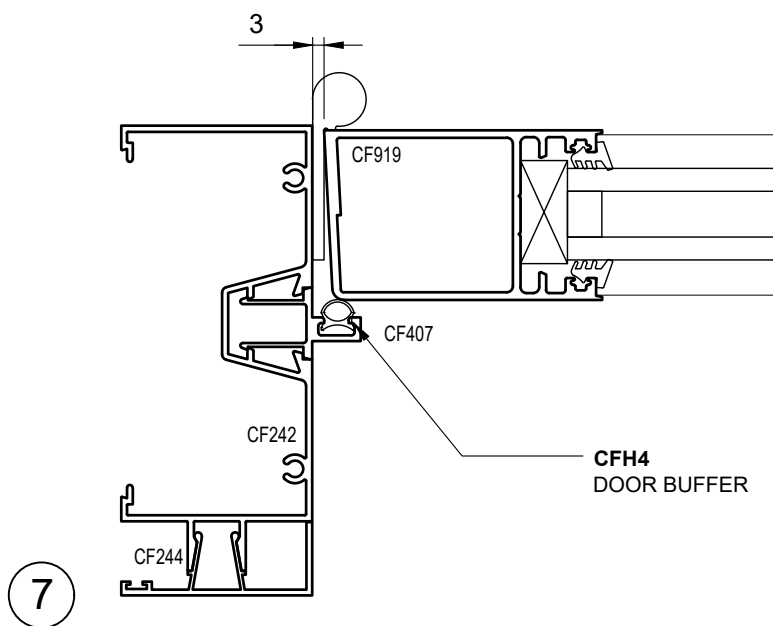


NOTE:

- ALL JOINTS TO BE SEALED USING A SUITABLE SMALL JOINT SEALANT OR CLOSED CELL FRAME GASKET

# 103mm COMMERCIAL FRAME FRONT CAP GLAZED - SINGLE GLAZED

HORIZONTAL DETAIL - 45mm HINGED DOOR JAMB  
OPEN IN - POCKETED FRAME

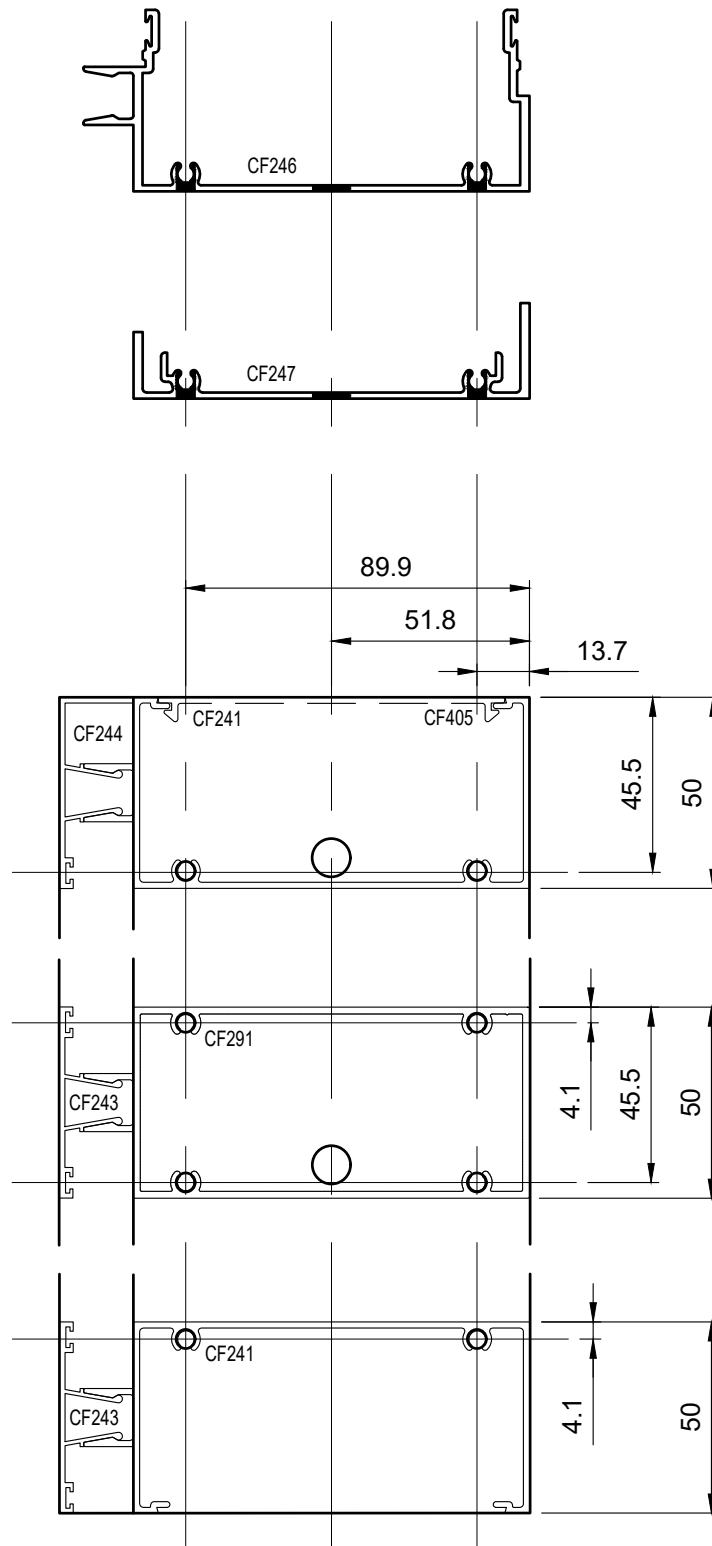


NOTE:

- ALL JOINTS TO BE SEALED USING A SUITABLE SMALL JOINT SEALANT OR CLOSED CELL FRAME GASKET

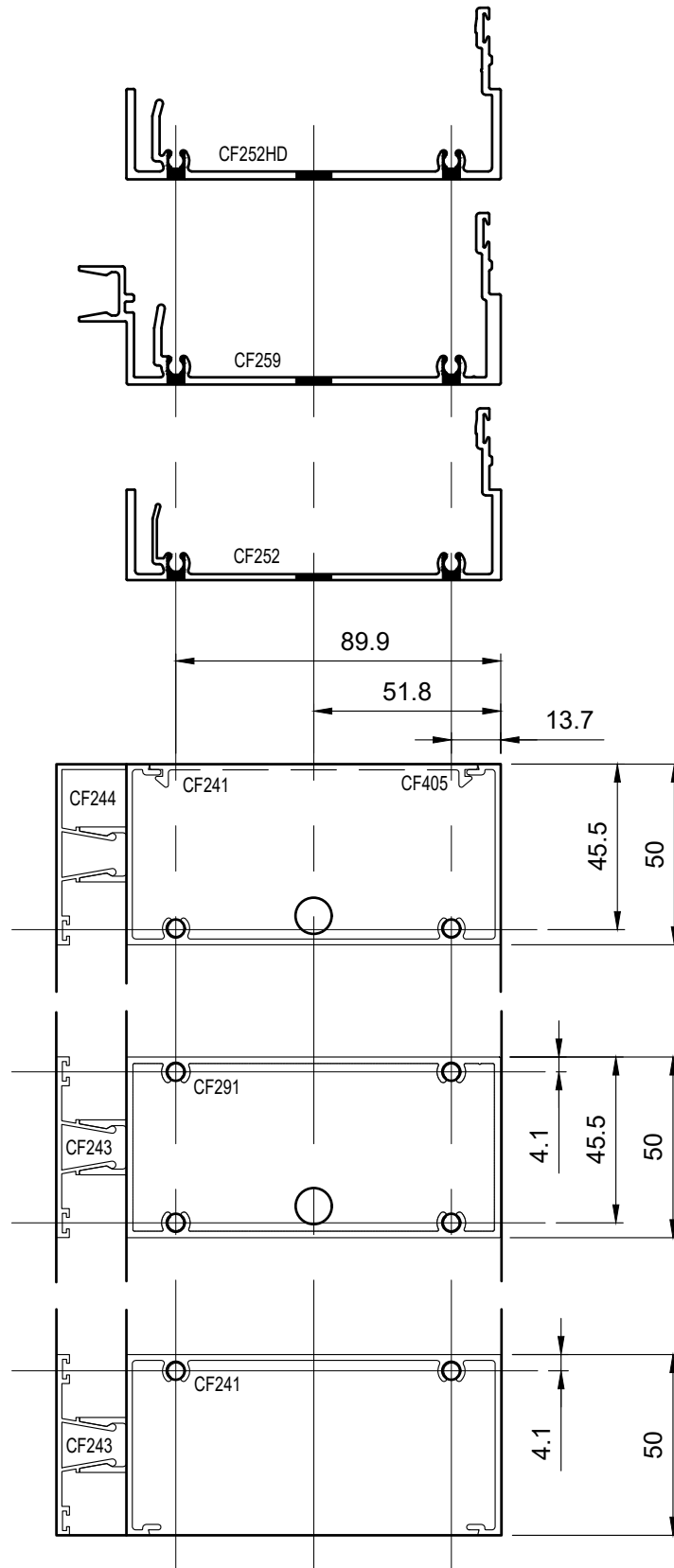
# 103mm COMMERCIAL FRAME FRONT CAP GLAZED - SINGLE GLAZED

## MACHINING - JAMB AND MULLIONS - ASSEMBLY HOLES



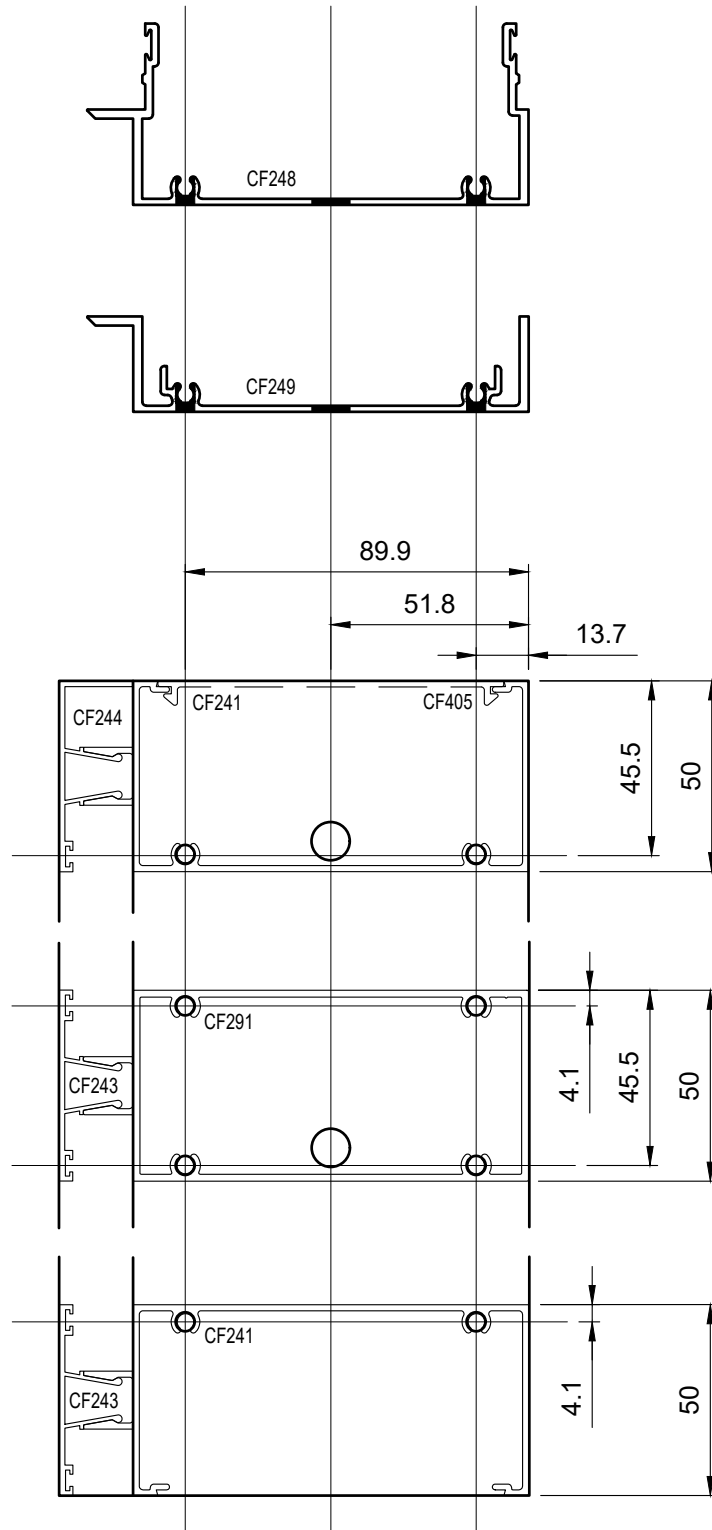
# 103mm COMMERCIAL FRAME FRONT CAP GLAZED - SINGLE GLAZED

## MACHINING - JAMB AND MULLIONS - ASSEMBLY HOLES



# 103mm COMMERCIAL FRAME FRONT CAP GLAZED - SINGLE GLAZED

## MACHINING - JAMB AND MULLIONS - ASSEMBLY HOLES

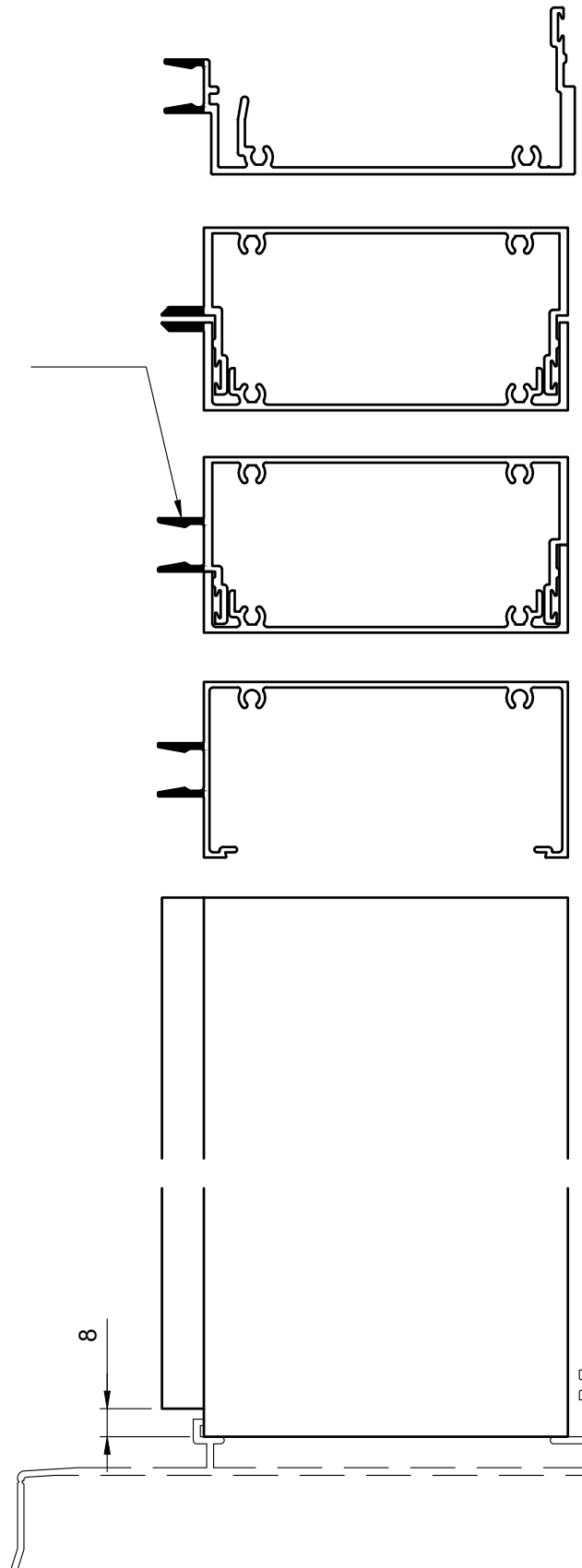


# 103mm COMMERCIAL FRAME FRONT CAP GLAZED - SINGLE GLAZED

## MACHINING - MAIN FRAME AND MULLIONS - FRONT NOTCH

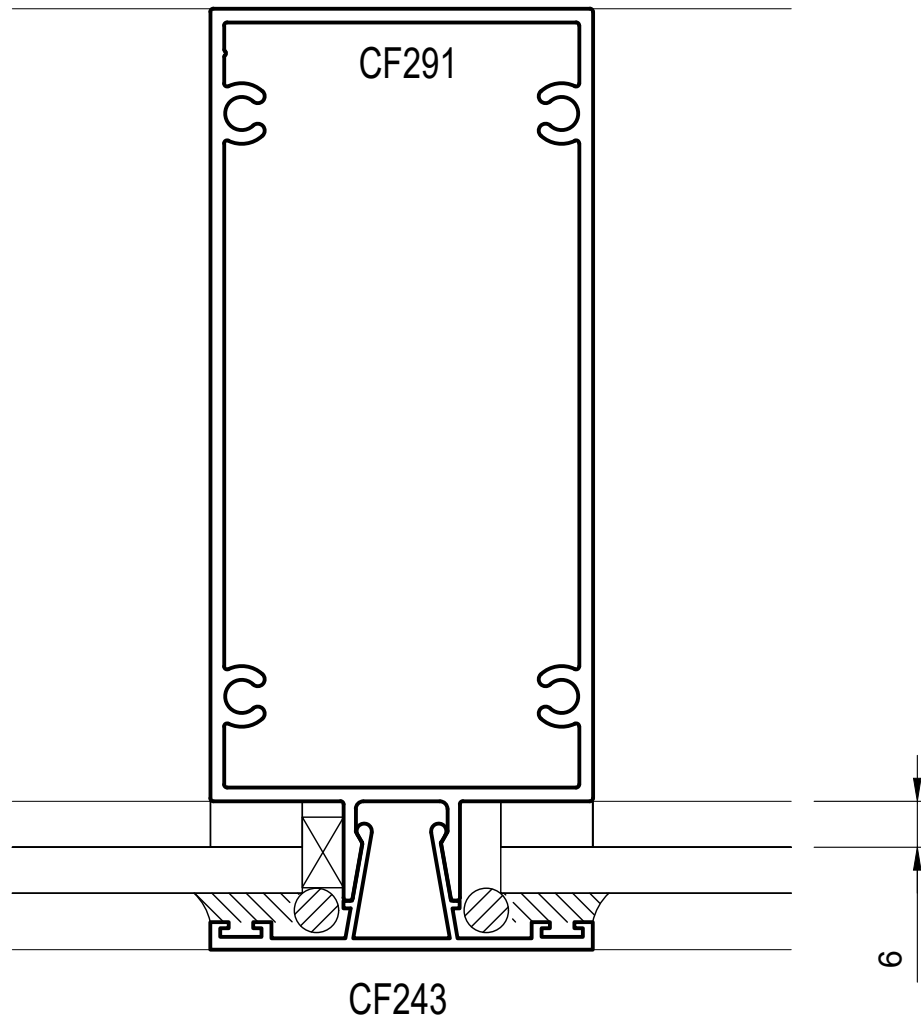
MACHINE BOTH LEGS 8mm  
FROM BOTTOM ONLY TO  
CLEAR SUB SILL

TYPICAL ALL MULLIONS AND  
JAMBS



# 103mm COMMERCIAL FRAME FRONT CAP GLAZED - SINGLE GLAZED

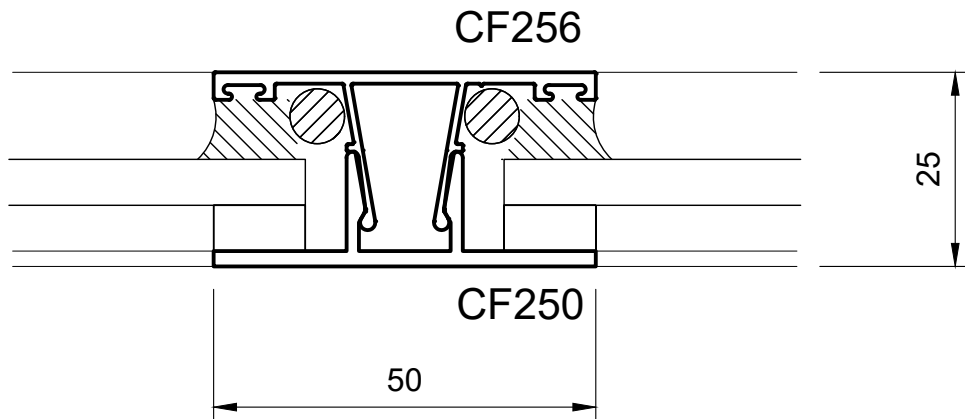
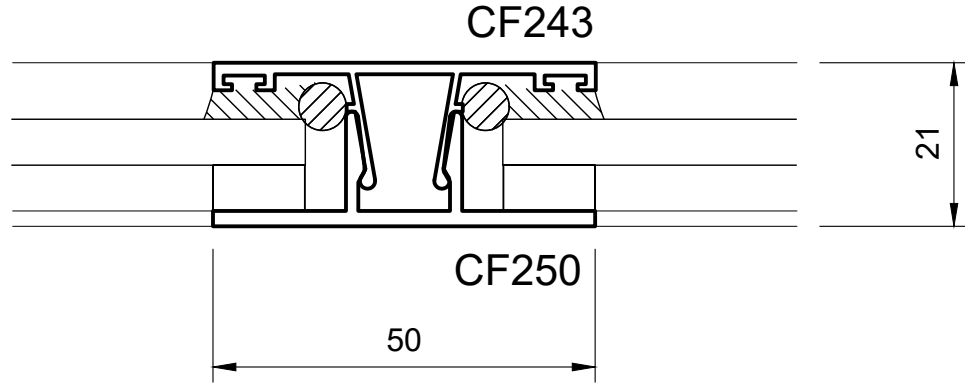
## GLAZING DETAILS



SINGLE GLAZE		
GLASS THICKNESS	SNAP ON COVER	GLAZING
4mm - 6mm	CF243 - 16mm	6mm GLAZING TAPE + SILICONE
8mm - 12mm	CF256 - 20mm	6mm GLAZING TAPE + SILICONE

# 103mm COMMERCIAL FRAME FRONT CAP GLAZED - SINGLE GLAZED

## GLAZING DETAILS

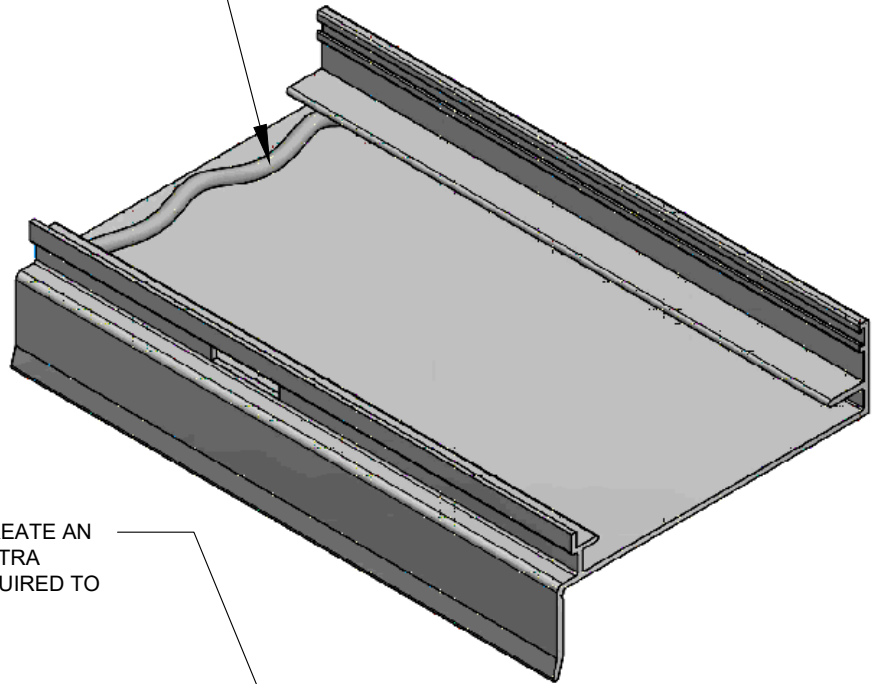


SINGLE GLAZE		
GLASS THICKNESS	SNAP ON COVER	GLAZING
4mm - 6mm	CF243 - 16mm	6mm GLAZING TAPE + SILICONE
8mm - 12mm	CF256 - 20mm	6mm GLAZING TAPE + SILICONE

# 103mm COMMERCIAL FRAME FRONT CAP GLAZED - SINGLE GLAZED

## SUB SILL END DAM SEALING

LAY A BED OF SILICONE ACROSS THE BASE OF THE SUB SILLS, CAREFULLY SEALING INTO THE CORNERS AND UP THE VERTICAL SUB SILL LEGS



INSTALL A 25 x 25mm ANGLE TO CREATE AN END DAM IN THE SUB SILL. ADD EXTRA SILICONE IN THE CORNERS IF REQUIRED TO ENSURE WATER TIGHTNESS

RIVET ANGLE TO SUB SILL TO ENSURE THE SILICONE SEAL IS NOT DISTURBED OR BROKEN

